

Warranty

(please retain and file together with the purchase receipt)

Dear Customer,

Thank you for purchasing this product. We would like to ask you to observe the following notes and tips so you can enjoy this product for a long time.

Checking the product:

Lay out the parts prior to installation and check that all component parts are present. At the same time check for any damage that may have occurred during transportation. No claim for defective product will be accepted after the product has been installed.

Important: The toughened safety glass used may, from time to time, show characteristic features due to its manufacturing process (DIN 1249). So-called hair scratches can occur on the glass plate's surface up to a length of 150mm, as well as blisters in the glass up to a diameter of 0.75 mm. In either case there are no grounds for complaint. The accepted inspection distance is 1.5 metres under normal lighting conditions. The same applies to the surface of the powder-coated profiles. Likewise please take into account that we use different, high quality materials when manufacturing the shower enclosure, which in exceptional cases can lead to slight colour differences. These unfortunately do not warrant a complaint.

A waterproof and leak tight fit is not achievable with frameless shower cubicles due to their construction.

Assembly/Sealing:

It is imperative to carry out the assembly according to the instructions which follow. This will guarantee flawless product performance. If you have reason to complain, despite careful assembly in accordance with the instructions or if you require technical advice, our service department for shower information can offer you assistance. **Important information to ensure a leak tight finish.** Please ensure that you seal **horizontal** joints **only from the outside**. Please seal the perpendicular joints on the outside from top to bottom. In the event of an recurring leak please make sure that you followed the instructions exactly.

Spare parts:

Any missing components, those damaged during transportation, or parts worn out over time can be ordered via the service department. Please place the order in writing using our attached spare parts list together with the Warranty Pass. The parts ordered will be sent direct to the original distributor. Any parts ordered as a matter of wear and tear will be charged for. You acknowledge your consent with your signature.

Cleaning/Maintenance:

Silicone sealing materials are not resistant to mildew over time. We recommend airing your bathroom after showering and cleaning the shower cubicle regularly. For cleaning we recommend normal liquid detergents for the bathroom or a small solution of Milton, diluted appropriately with water. Clean with a soft cloth or a sponge. Please do not use cleaning powder or solvents. From time to time it will be necessary to treat moving parts (such as hinges, rollers etc.) with Vaseline. Take the opportunity to re-adjust and tighten any screws etc.

Once again, thank you for purchasing this product.

If you have any improvements or suggestions then please feel free to write to us.

Your Shower-Team



Please specify inspection number from control receipt on the back here: _____

Dear Sir/Madam, I hereby order the spare parts identified in the drawing:

No.	Designation	Color	Dimensions	Amount

I would like to thank you for processing this immediately and remain. Yours sincerely

Purchased at:

Surname First Name

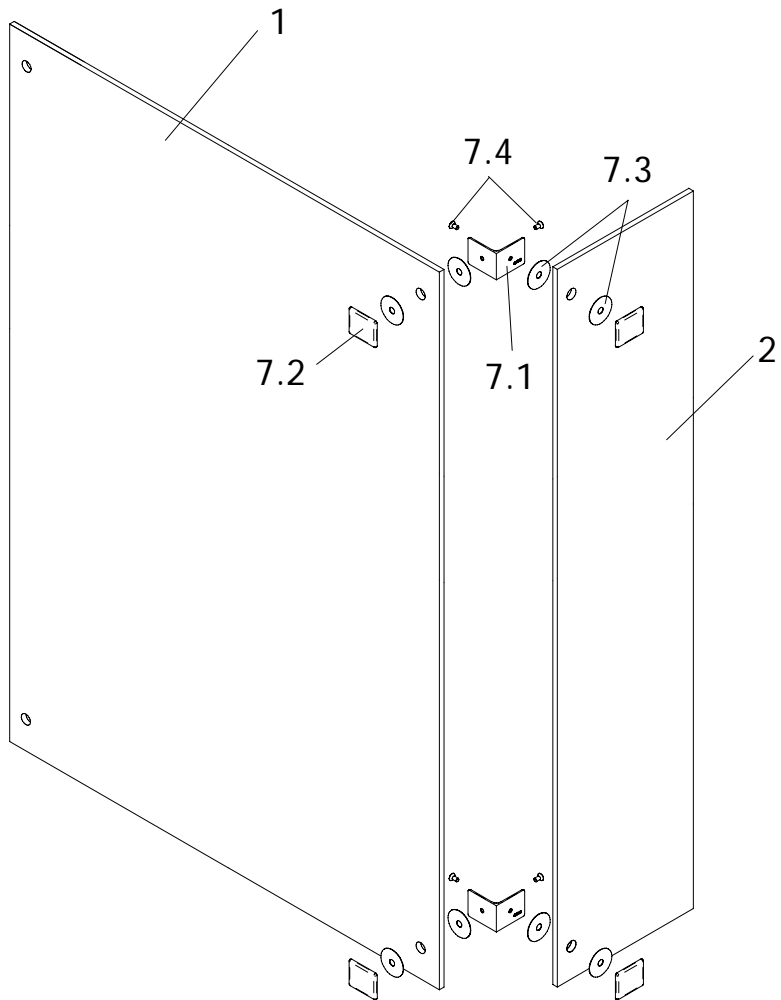
Street No.

Postal Code Town

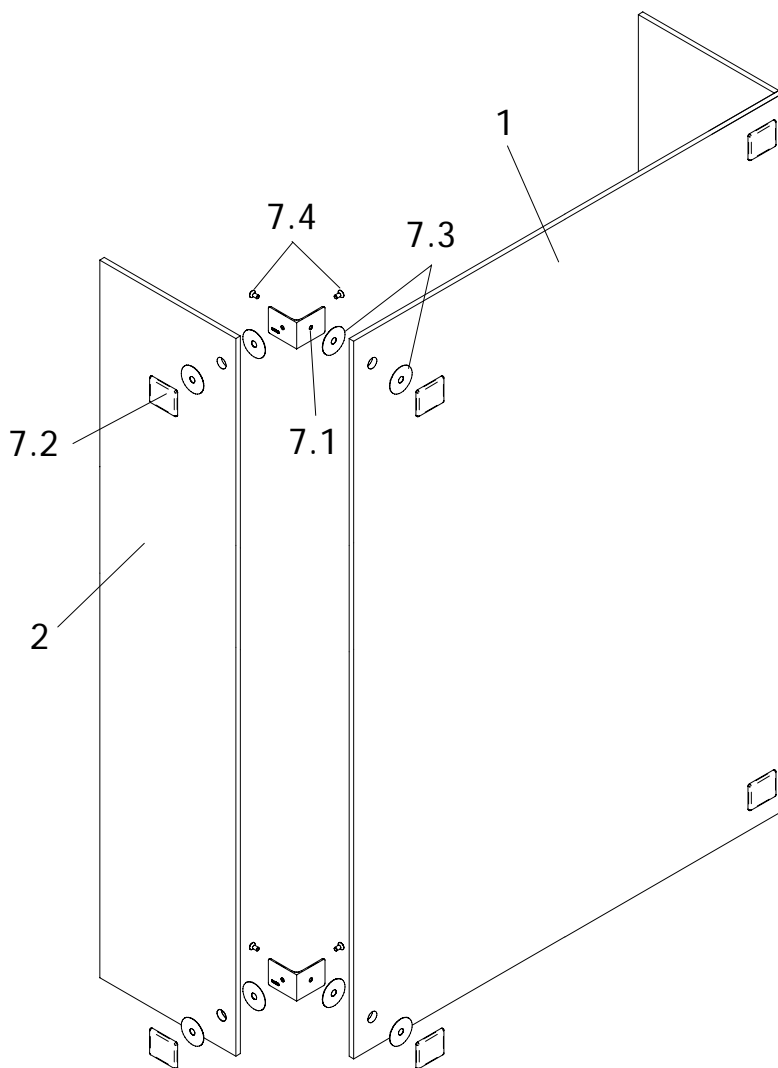
Phone

Date Signature

1

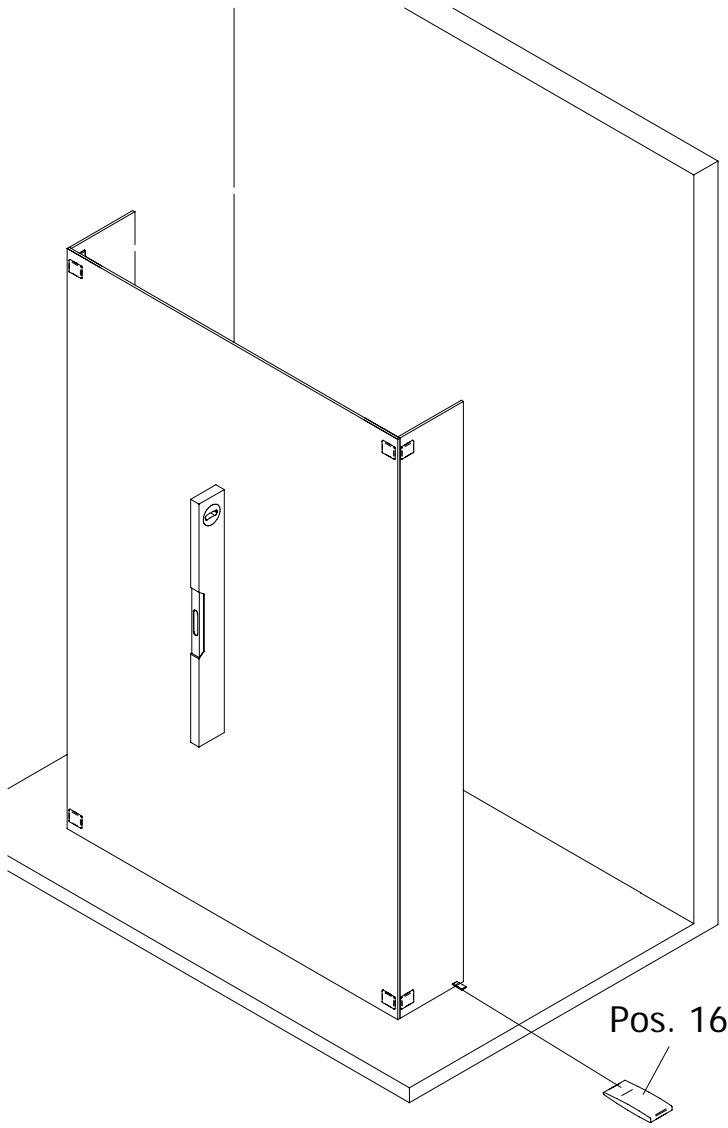


2



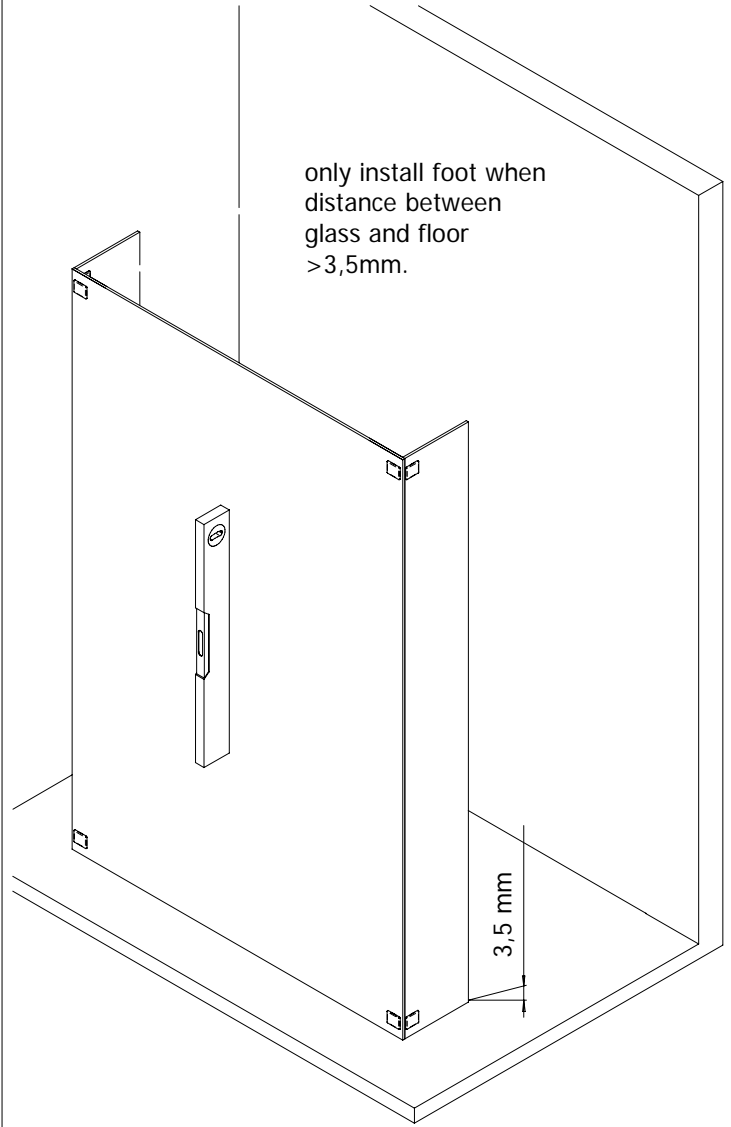
3

Option 1 with Silicone wedge.



4

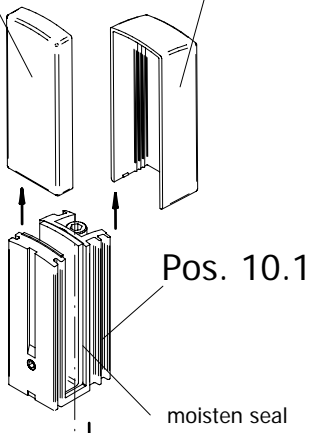
Option 2 with foot.



5

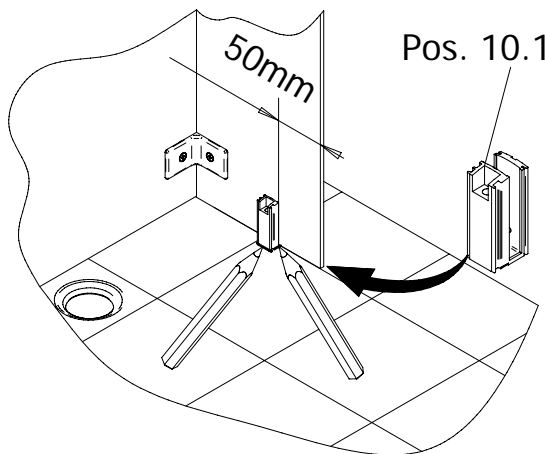
I.

Pos. 10.5 Pos. 10.4

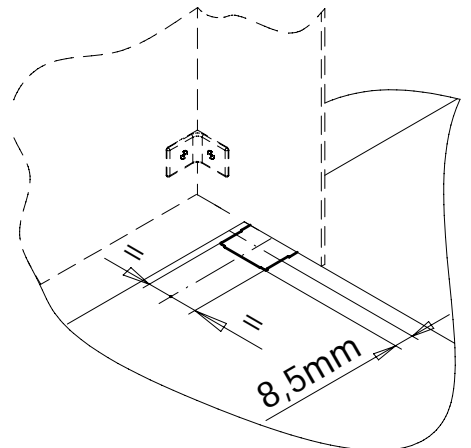


II.

View from inside



III.

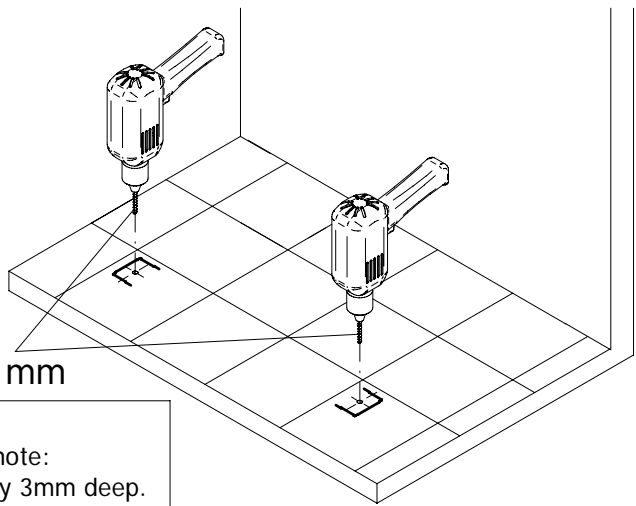


Pos. 10.6

Pos. 11



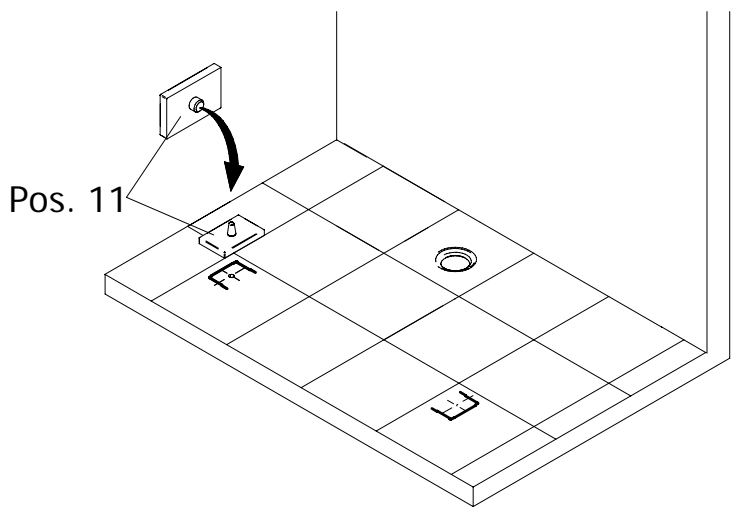
I.



Ø 5 mm

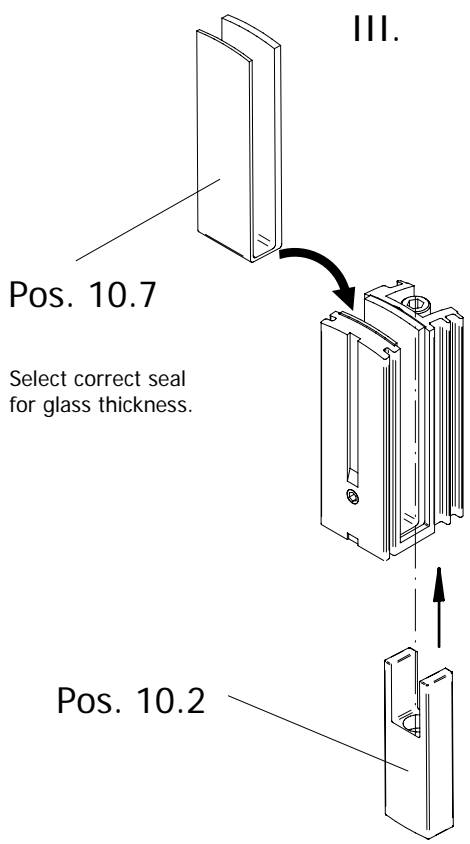
Please note:
Drill only 3mm deep.

II.



Pos. 11

III.

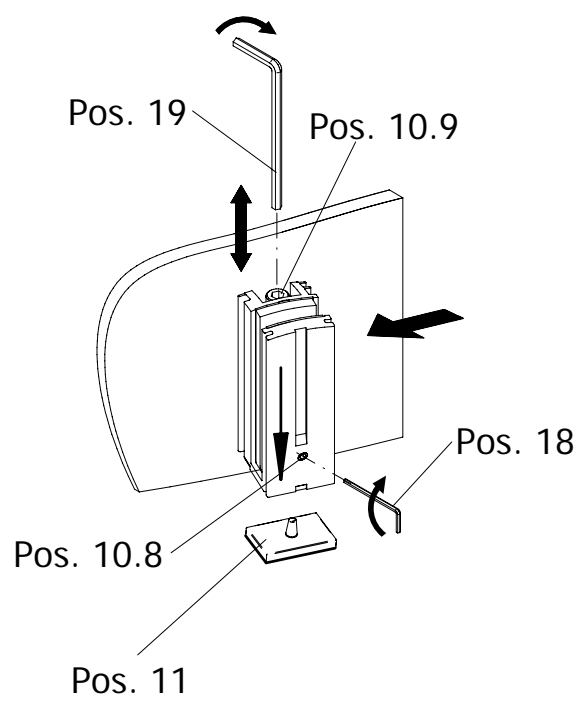


Pos. 10.7

Select correct seal
for glass thickness.

Pos. 10.2

IV.



Pos. 19

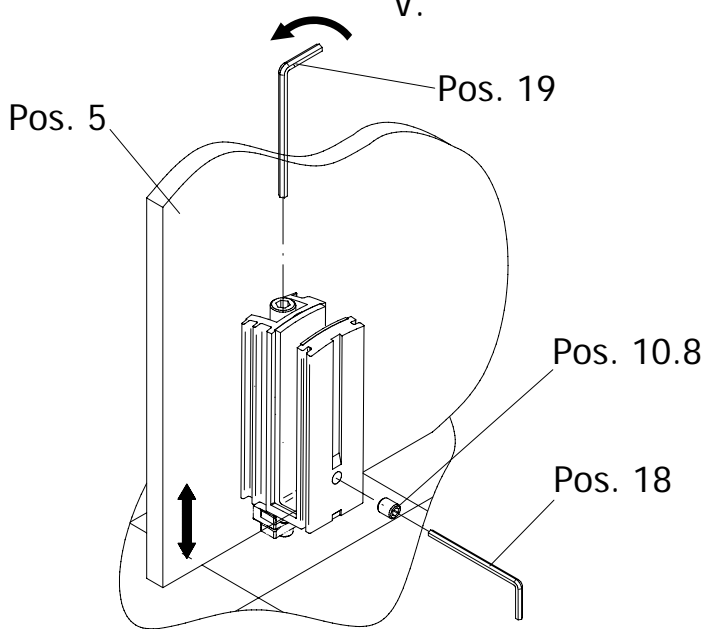
Pos. 10.9

Pos. 18

Pos. 10.8

Pos. 11

V.



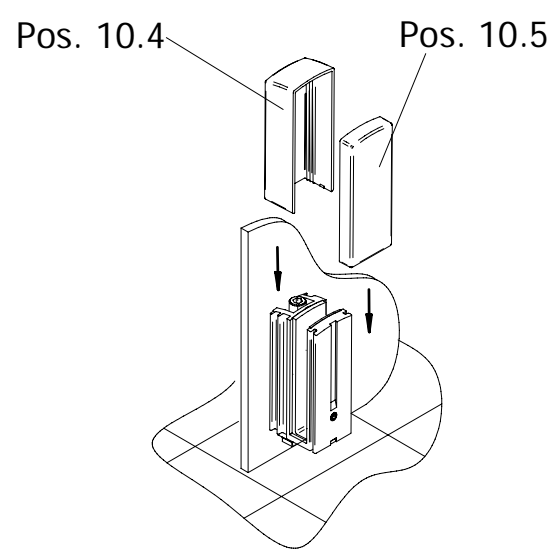
Pos. 5

Pos. 19

Pos. 10.8

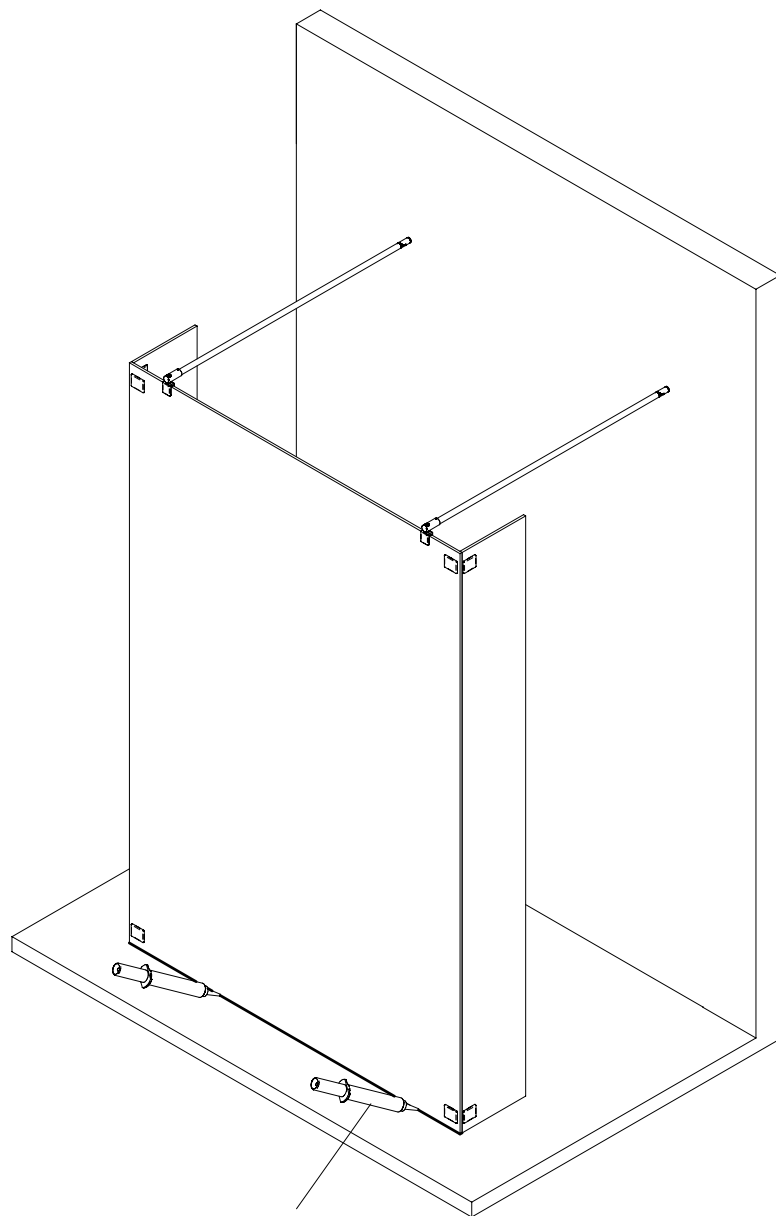
Pos. 18

VI.

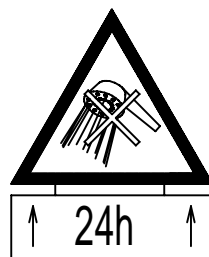


Pos. 10.4

Pos. 10.5



silicone



Control Receipt

This product has been inspected for completeness and has had a quality check carried out by our inspection department.

Inspection number

If a justified reason for a complaint exists despite our checks (cf. notes in warranty pass) please forward the control receipt together with the completed order to:

IMPEY UK Ltd, Conquest Business Park
Cad Road, Old Way, Ilton
Somerset, TA19 9EA

Tel: 01460 256080
Fax: 01460 259800
Email: info@impey-uk.com