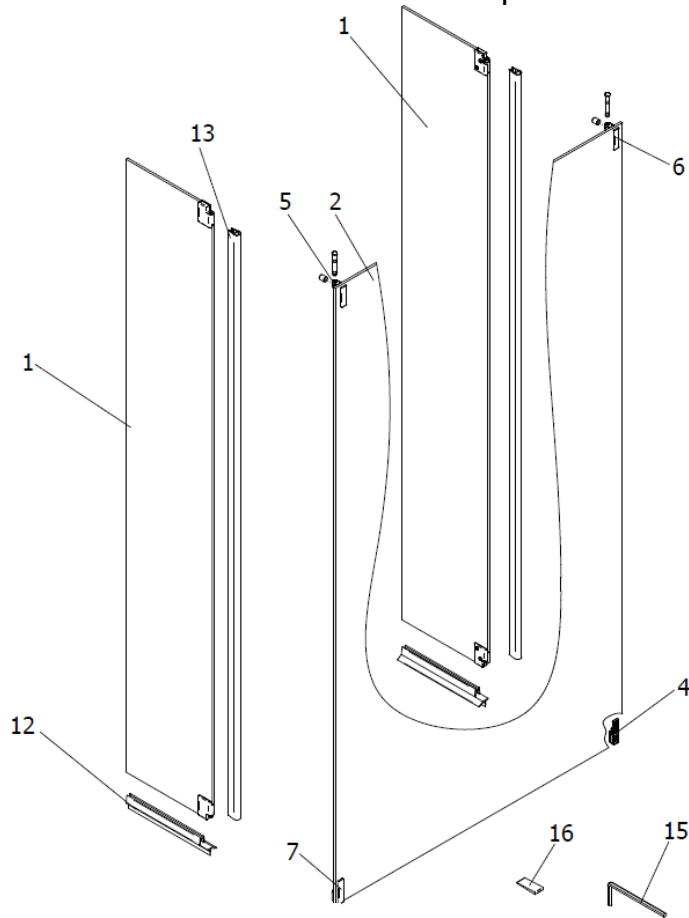


Walk In - Lavida

Spare Part Request Form – Fax Back to 01283 584994



HSK - SPARE PART - Request Form



- Pos.
- 1 2 x door
 - 2 1 x fixed panels
 - 4 2 x wall holder
 - 5 2 x wall holder
 - 6 2 x wall holder back plate
 - 7 2 x wall holder back plate
 - 12 2 x water-repellent profile
 - 13 2 x sealing
 - 15 1 x hexagonal wrench
 - 16 1 x underlay

Ref No. -	Date -
-----------	--------

CUSTOMER DETAILS

Customer		Retailer	
Name		Name	
Address		Address	
Post Code		Post Code	
Contact No.		Contact No.	

PRODUCT DETAILS

Product		Product No.	
Part No's Req'd			
Inst. Instr. No.			

OFFICE INFORMATION ONLY

Chargeable?	Inv. No.
Sent Via	Sent Date
HSK Conf. No.	Conf. Date
UK Stock Qty	Order Ref