

# Walk In - Allure

Spare Part Request Form – Fax Back to 01283 584994



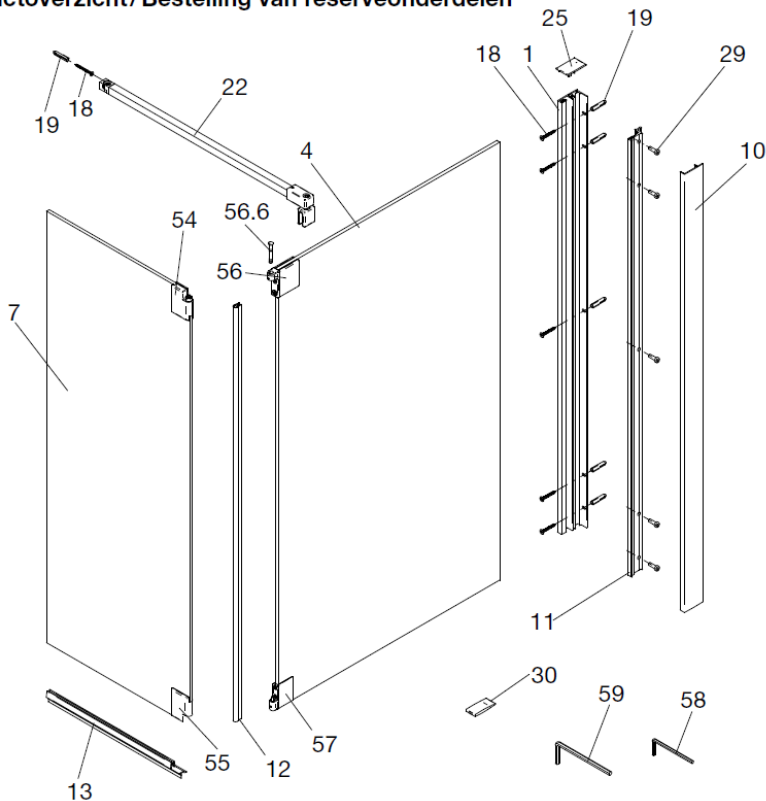
1295-0 Produktübersicht/Ersatzteilbestellung

Product overview/Ordering spare parts

Vue d'ensemble du produit/Achat de pièces détachées

Productoverzicht/Bestelling van reserveonderdelen

1727090 - 1727160



Pos.

- 1 1 x wall connection profile
- 4 1 x fixed panels
- 7 1 x door
- 10 1 x clip profile
- 11 1 x clamping profile
- 12 1 x sealing
- 13 1 x water-repellent profile
- 18 6 x tapping screw 4,2 x 45 mm
- 19 6 x dowel S6
- 22 1 x side support

- 25 1 x cap
- 29 5 x cylinder head screw M6 x 18 mm
- 30 1 x underlay
- 54 1 x bottom guide above left
- 55 1 x bottom guide down left
- 56 1 x pivot bearing above
- 56.6 1 x stud
- 57 1 x pivot bearing down
- 58 1 x hexagonal wrench SW 2
- 59 1 x hexagonal wrench SW 4

## HSK - SPARE PART - Request Form

Ref No. -	Date -
-----------	--------

### CUSTOMER DETAILS

Customer		Retailer	
Name		Name	
Address		Address	
Post Code		Post Code	
Contact No.		Contact No.	

### PRODUCT DETAILS

Product	Product No.
Part No's	
Req'd	
Inst. Instr. No.	

### OFFICE INFORMATION ONLY

Chargeable?	Inv. No.
Sent Via	Sent Date
HSK Conf. No.	Conf. Date
UK Stock Qty	Order Ref