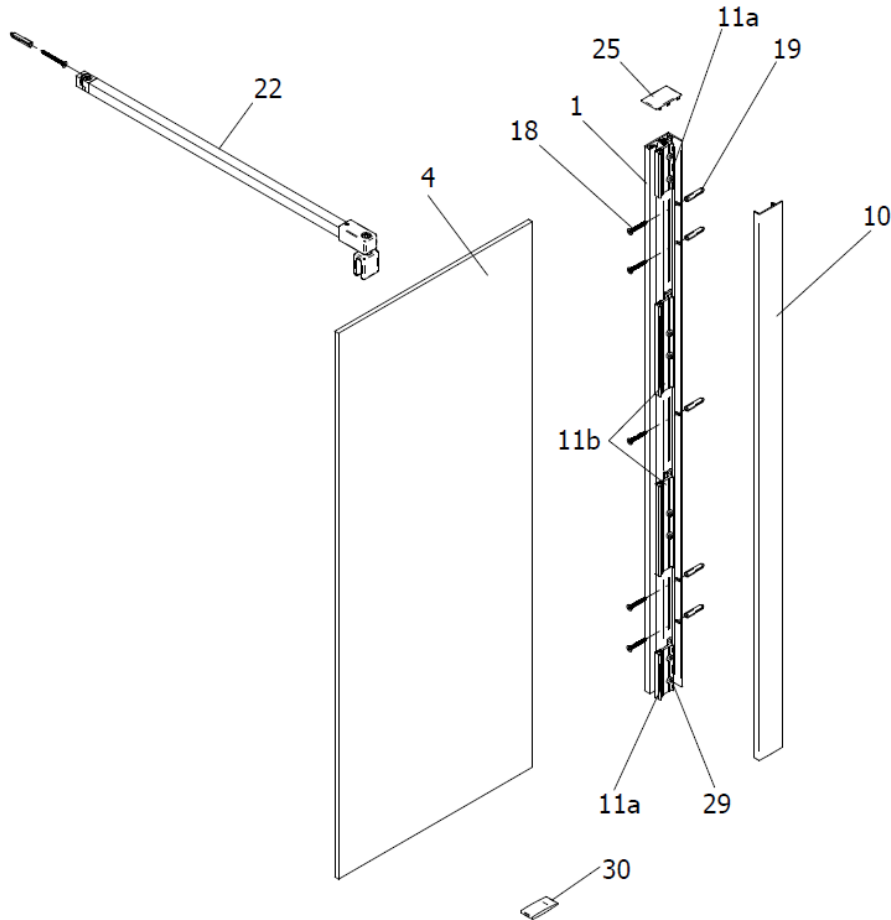


# Walk In – Atelier – Straight Panel (8mm)

Spare Part Request Form – Fax Back to 01283 584994



- Pos.
- 1 1 x wall connection profile
  - 4 1 x fixed panels
  - 10 1 x clip profile
  - 11a 2 x clamping profile
  - 11b 2 x clamping profile
  - 18 5 x tapping screw 4,2 x 45 mm
  - 19 5 x dowel S6
  - 22 1 x side support

- 25 1 x cap
- 29 8 x cylinder head screw M6 x 18 mm
- 30 1 x underlay

## HSK - SPARE PART - Request Form

Ref No. -	Date -
-----------	--------

### CUSTOMER DETAILS

Customer		Retailer	
Name		Name	
Address		Address	
Post Code		Post Code	
Contact No.		Contact No.	

### PRODUCT DETAILS

Product		Product No.	
Part No's Req'd			
Inst. Instr. No.			

### OFFICE INFORMATION ONLY

Chargeable?	Inv. No.
Sent Via	Sent Date
HSK Conf. No.	Conf. Date
UK Stock Qty	Order Ref