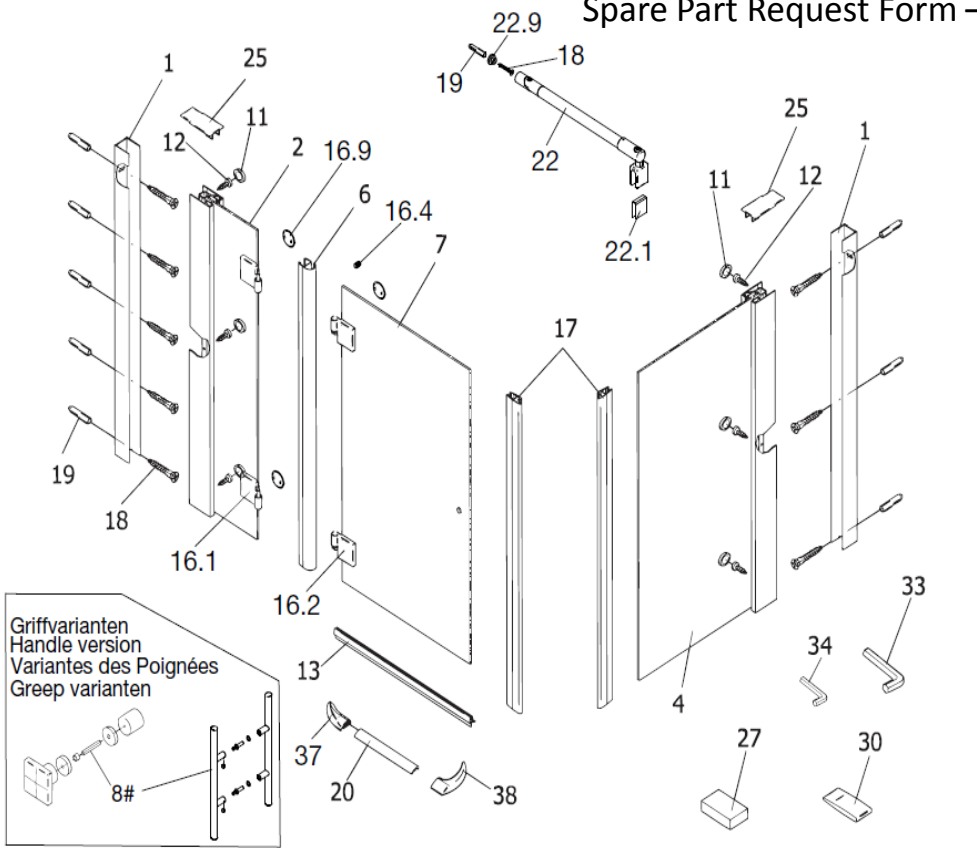


Walk In – Atelier – Door & Front Panel



Spare Part Request Form – Fax Back to 01283 584994

HSK - SPARE PART - Request Form



Griffvarianten
Handle version
Variantes des Poignées
Griep varianten

- | | | | |
|------|---|------|--|
| Pos. | | | |
| 1 | 2 x wall connection profile | 18 | 9 x countersunk head screw 4,2 x 45 mm |
| 2 | 1 x side panel with holes | 19 | 9 x dowel S6 |
| 4 | 1 x side panel | 20 | 1 x aluminum sealing profile |
| 6 | 1 x sealing profile vertical | 22 | 2 x stabilising bar for side panel |
| 7 | 1 x door left/right | 22.1 | 2 x glass protection |
| 8# | 1 x handle complete | 22.9 | 2 x wall attachment |
| 11 | 6 x cap for countersunk head screw | 25 | 2 x cap |
| 12 | 6 x countersunk head screw 3,5 x 9,5 mm | 27 | 2 x assembly aid |
| 13 | 1 x water-repellent profile | 30 | 4 x underlay |
| 16 | 2 x complete hinge | 33 | 1 x hexagonal wrench SW 4 |
| 16.1 | 2 x part of the hinge for fixed panel | 34 | 1 x hexagonal wrench SW 2 |
| 16.2 | 2 x part of the hinge for the door | 37 | 1 x end cap for aluminum sealing profile |
| 16.4 | 2 x fixing screw M3 x 3 mm | 38 | 1 x end cap 90° for aluminum sealing profile |
| 16.9 | 4 x cap | | |
| 17 | 2 x magnetic strip 45° | | |

optionally

Ref No. -	Date -
-----------	--------

CUSTOMER DETAILS

Customer		Retailer	
Name		Name	
Address		Address	
Post Code		Post Code	
Contact No.		Contact No.	

PRODUCT DETAILS

Product		Product No.	
Part No's			
Req'd			
Inst. Instr. No.			

OFFICE INFORMATION ONLY

Chargeable?		Inv. No.	
Sent Via		Sent Date	
HSK Conf. No.		Conf. Date	
UK Stock Qty		Order Ref	