

# Walk In Square II Solution

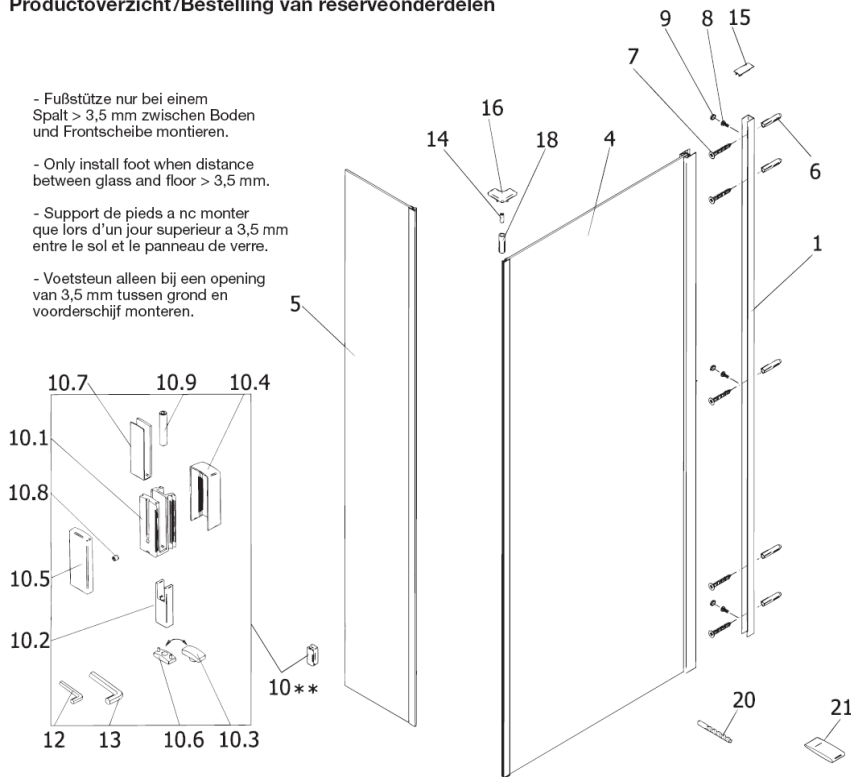
Spare Part Request Form – Fax Back to 01283 584994



1150-2 **Produktübersicht / Ersatzteilbestellung**  
**Product overview / Ordering spare parts**  
**Vue d'ensemble du produit / Achat de pièces détachées**  
**Productoverzicht / Bestelling van reserveonderdelen**

D 1209030-F/1210030-F/1610090/1610100  
 1710090/1710100/171500/173090/173500/  
 1630090/163500

- Fußstütze nur bei einem Spalt > 3,5 mm zwischen Boden und Frontscheibe montieren.
- Only install foot when distance between glass and floor > 3,5 mm.
- Support de pieds a nc monter que lors d'un jour supérieur a 3,5 mm entre le sol et le panneau de verre.
- Voetsteun alleen bij een opening van 3,5 mm tussen grond en voorderschijf monteren.



- |      |   |      |                                 |
|------|---|------|---------------------------------|
| Pos. |   |      |                                 |
| 1    | 1 x wall connection profile             | 10.6 | 1 x sealing in thrust           |
| 4    | 1 x Frontpanel with profile             | 10.7 | 1 x sealing for glass           |
| 5    | 1 x plate 90° with profile              | 10.8 | 1 x stud M5 x 6 mm              |
| 6    | 5 x wall plug S6                        | 10.9 | 1 x stud M8 x 40 mm             |
| 7    | 5 x flat-headed screw 4,2 x 32 mm       | 12   | 1 x hexagonal wrench SW 2,5     |
| 8    | 3 x cap screw 3,5 x 9,5 mm              | 13   | 1 x hexagonal wrench SW 4       |
| 9    | 3 x cap                                 | 14   | 1 x stud M4 x 10 mm             |
| 10** | 1 x complete foot support               | 15   | 1 x cap                         |
| 10.1 | 1 x base                                | 16   | 2 x Cap for corner profile      |
| 10.2 | 1 x thrust                              | 18   | 2 x straddling dowel M4 x 16 mm |
| 10.3 | 1 x sealing installation on tiled floor | 20   | 1 x metall driller ø 3 mm       |
| 10.4 | 1 x cover button inside                 | 21   | 4 x underlay                    |
| 10.5 | 1 x cover button outside                |      |                                 |

\*\* optionally

## HSK - SPARE PART - Request Form

Ref No. -	Date -
-----------	--------

### CUSTOMER DETAILS

Customer		Retailer	
Name		Name	
Address		Address	
Post Code		Post Code	
Contact No.		Contact No.	

### PRODUCT DETAILS

Product		Product No.	
Part No's			
Req'd			
Inst. Instr. No.			

### OFFICE INFORMATION ONLY

Chargeable?	Inv. No.
Sent Via	Sent Date
HSK Conf. No.	Conf. Date
UK Stock Qty	Order Ref