

Walk In Square III & Side Panel

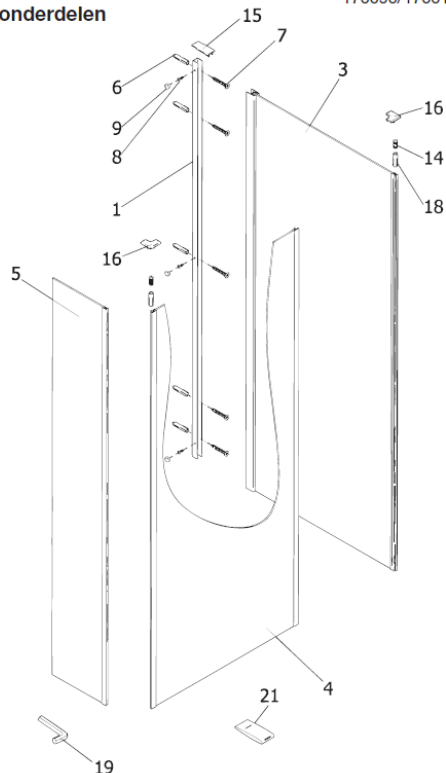
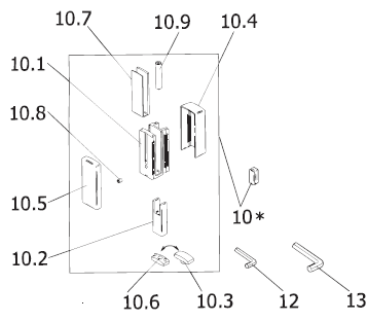
Spare Part Request Form – Fax Back to 01283 584994



1145-2 Produktübersicht / Ersatzteilbestellung
 Product overview / Ordering spare parts
 Vue d'ensemble du produit / Achat de pièces détachées
 Productoverzicht / Bestelling van reserveonderdelen

D1209093-F
 D12090103-F
 1600090/1600100
 170090/1700100

- * Fußstütze nur bei einem Spalt > 3,5 mm zwischen Boden und Frontscheibe montieren.
- * Only install foot when distance between glass and floor > 3,5 mm.
- * Support de pieds a ne monter que lors d'un jour supérieur a 3,5 mm entre le sol et le panneau de verre.
- * Voetsteun alleen bij een opening van 3,5 mm tussen grond en voorderschijf monteren.



- Pos.
- 1 1 x wall connection profile
 - 3 1 x side panel with profile
 - 4 1 x Frontpanel with profile
 - 5 1 x plate 90° with profile
 - 6 5 x wall plug S6
 - 7 5 x flat-headed screw 4,2 x 32 mm
 - 8 3 x cap screw 3,5 x 9,5 mm
 - 9 3 x cap
 - 10** 1 x complete foot support
 - 10.1 1 x base
 - 10.2 1 x thrust
 - 10.3 1 x sealing installation on tiled floor
 - 10.4 1 x cover button inside

- 10.5 1 x cover button outside
- 10.6 1 x sealing in thrust
- 10.7 1 x sealing for glass
- 10.8 1 x stud M5 x 6 mm
- 10.9 1 x stud M8 x 40 mm
- 12 1 x hexagonal wrench SW 2,5
- 13 1 x hexagonal wrench SW 4
- 14 1 x stud M4 x 10 mm
- 15 1 x cap
- 16 2 x Cap for corner profile
- 18 2 x straddling dowel M4 x 16 mm
- 19 1 x hexagonal wrench SW 2
- 21 4 x underlay

** optional

HSK - SPARE PART - Request Form

Ref No. -	Date -
-----------	--------

CUSTOMER DETAILS

Customer		Retailer	
Name		Name	
Address		Address	
Post Code		Post Code	
Contact No.		Contact No.	

PRODUCT DETAILS

Product		Product No.	
Part No's Req'd			
Inst. Instr. No.			

OFFICE INFORMATION ONLY

Chargeable?	Inv. No.
Sent Via	Sent Date
HSK Conf. No.	Conf. Date
UK Stock Qty	Order Ref