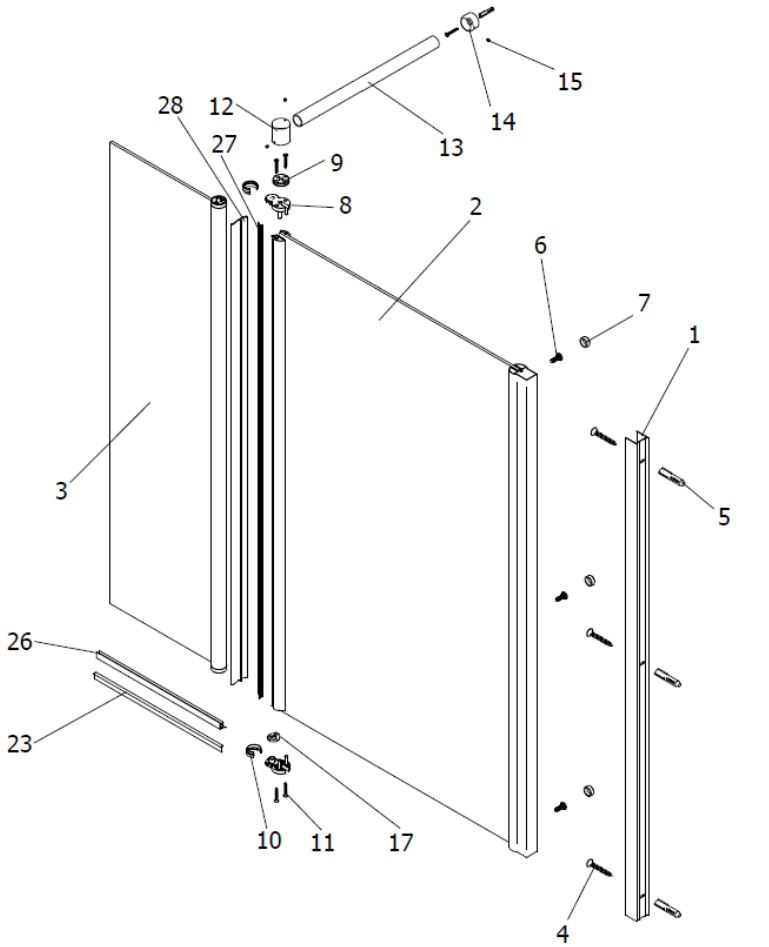


# Walk In – Easy I



Spare Part Request Form – Fax Back to 01283 584994

## HSK - SPARE PART - Request Form



|           |        |
|-----------|--------|
| Ref No. - | Date - |
|-----------|--------|

### CUSTOMER DETAILS

| Customer    |  | Retailer    |  |
|-------------|--|-------------|--|
| Name        |  | Name        |  |
| Address     |  | Address     |  |
| Post Code   |  | Post Code   |  |
| Contact No. |  | Contact No. |  |

### PRODUCT DETAILS

|                  |             |
|------------------|-------------|
| Product          | Product No. |
| Part No's Req'd  |             |
| Inst. Instr. No. |             |

### OFFICE INFORMATION ONLY

|               |            |
|---------------|------------|
| Chargeable?   | Inv. No.   |
| Sent Via      | Sent Date  |
| HSK Conf. No. | Conf. Date |
| UK Stock Qty  | Order Ref  |

- |   |  |
|---|--|
| <p>Pos.</p> <ul style="list-style-type: none"> <li>1 1 x compensating profiles</li> <li>2 1 x side panel</li> <li>3 1 x door</li> <li>4 4 x countersunk head screw 4,2 x 45 mm</li> <li>5 4 x dowel</li> <li>6 3 x screw 3,5 x 9,5 mm</li> <li>7 3 x cap</li> <li>8 2 x lower part of pivot bearing</li> <li>9 1 x cap</li> </ul> | <ul style="list-style-type: none"> <li>10 2 x pivot bearing-cover</li> <li>11 4 x screw 3,5 x 25 mm</li> <li>12 1 x top part for strut</li> <li>13 1 x pipe</li> <li>14 1 x turnable tube for strut</li> <li>15 3 x setscrew M4 x 4 mm</li> <li>17 1 x rising butt mechanism</li> <li>23 1 x pull-in sealing</li> <li>26 1 x water-repellent profile</li> <li>27 1 x inner sealing</li> <li>28 1 x sealing outwards</li> </ul> |
|---|--|