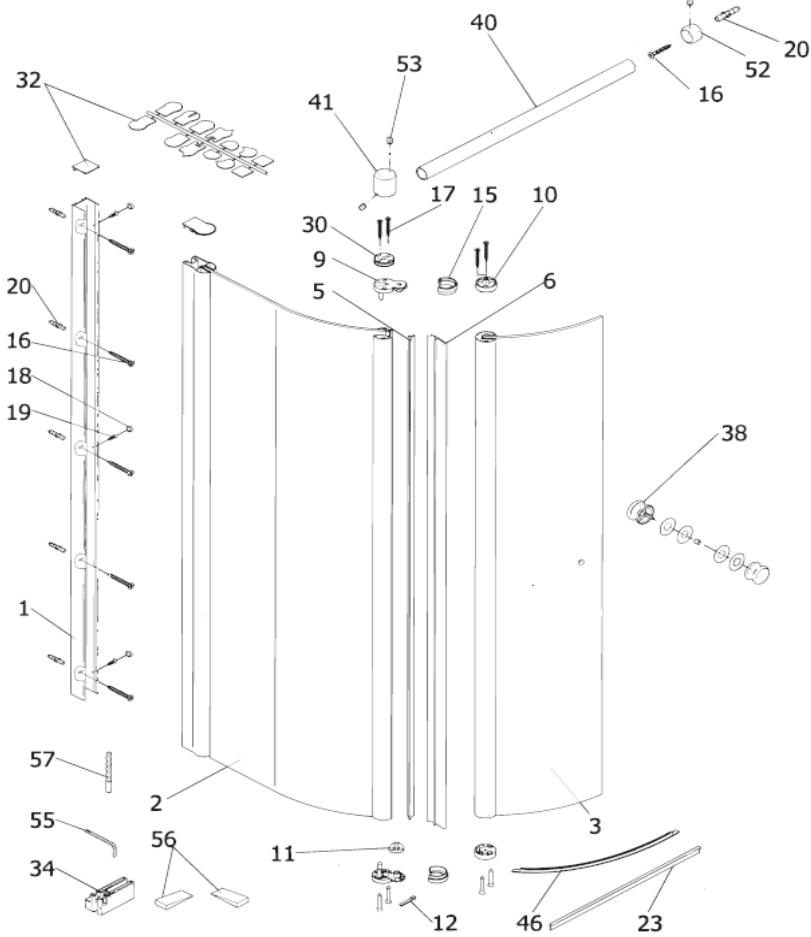


# Walk In – Micro



Spare Part Request Form – Fax Back to 01283 584994



- |     |   |     |   |
|-----|---|-----|---|
| 1   | 1 x wall connection profile             | 20* | 6 x dowel                               |
| 2   | 1 x side panel                          | 23  | 1 x pull-in sealing                     |
| 3   | 1 x door curred                         | 30  | 1 x adapter                             |
| 5   | 1 x inner sealing                       | 32  | 1 x shield range                        |
| 6   | 1 x sealing outwards                    | 34  | 2 x assembly aid                        |
| 9   | 2 x lower part of pivot bearing         | 38  | 1 x door handle, complete               |
| 10  | 2 x upper part of pivot bearing         | 40  | 1 x connecting tube                     |
| 11  | 1 x rising butt mechanism               | 41  | 1 x top part                            |
| 12  | 1 x twist stop                          | 46  | 1 x water-repellent profile, 1 x curred |
| 15  | 2 x pivot bearing-cover                 | 52  | 1 x turnable tube                       |
| 16* | 6 x countersunk head screw 4,2 x 32 mm  | 53  | 3 x stud M4 x 4 mm                      |
| 17* | 8 x countersunk head screw 3,5 x 25 mm  | 55  | 1 x hexagonal wrench SW 2               |
| 18* | 3 x screw cover                         | 56  | 2 x underlay                            |
| 19* | 3 x countersunk head screw 3,5 x 9,5 mm | 57  | 1 x driller Ø 3 mm                      |

## HSK - SPARE PART - Request Form

Ref No. -	Date -
-----------	--------

### CUSTOMER DETAILS

Customer		Retailer	
Name		Name	
Address		Address	
Post Code		Post Code	
Contact No.		Contact No.	

### PRODUCT DETAILS

Product	Product No.
Part No's Req'd	
Inst. Instr. No.	

### OFFICE INFORMATION ONLY

Chargeable?	Inv. No.
Sent Via	Sent Date
HSK Conf. No.	Conf. Date
UK Stock Qty	Order Ref