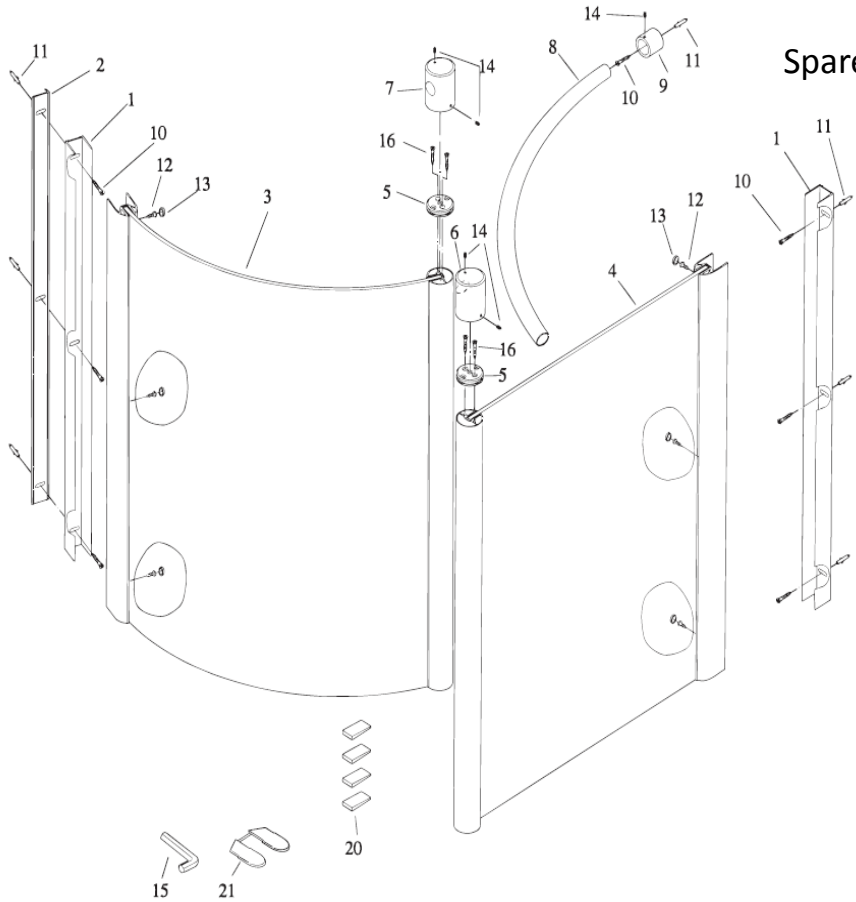


# Walk In – Standard – 140-160



Spare Part Request Form – Fax Back to 01283 584994

## HSK - SPARE PART - Request Form



- |   |   |
|---|---|
| <ul style="list-style-type: none"> <li>1 2 x wall connection profile AP</li> <li>2 1 x wall-wedge</li> <li>3 1 x curred Frontpanel</li> <li>4 1 x side panel</li> <li>5 2 x adapter</li> <li>6 1 x top part for strut</li> <li>7 1 x top part with passage for strut</li> <li>8 1 x bended pipe</li> <li>9 1 x turnable tube for prop up</li> </ul> | <ul style="list-style-type: none"> <li>10 7 x countersunk head screw 4,2 x 32 mm</li> <li>11 7 x dowel S8</li> <li>12 6 x countersunk head screw 3,5 x 9,5 mm</li> <li>13 6 x screw cover</li> <li>14 5 x setscrew M4 x 4</li> <li>15 1 x hexagonal wrench SW 2</li> <li>16 4 x countersunk head screw 3,5 x 38</li> <li>20 4 x assembly aid</li> <li>21 2 x cap</li> </ul> |
|---|---|

Ref No. -	Date -
-----------	--------

### CUSTOMER DETAILS

Customer		Retailer	
Name		Name	
Address		Address	
Post Code		Post Code	
Contact No.		Contact No.	

### PRODUCT DETAILS

Product	Product No.
Part No's	
Req'd	
Inst. Instr. No.	

### OFFICE INFORMATION ONLY

Chargeable?	Inv. No.
Sent Via	Sent Date
HSK Conf. No.	Conf. Date
UK Stock Qty	Order Ref