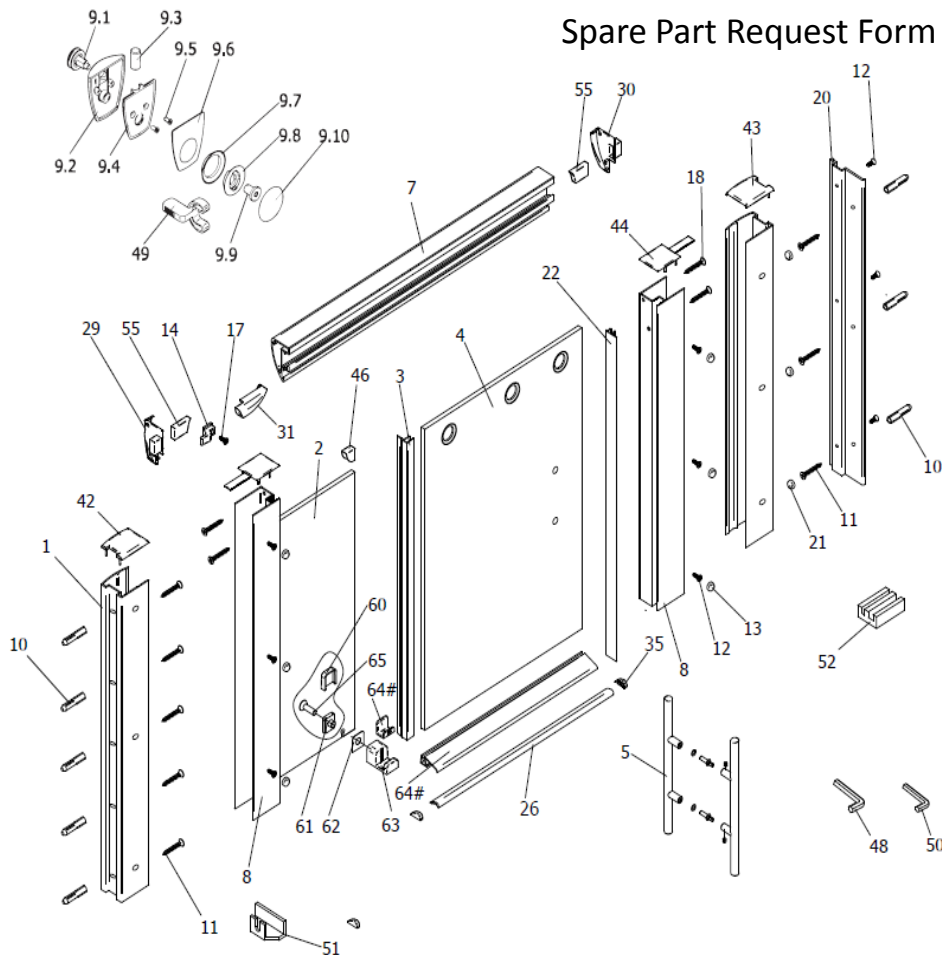


Solida – Recess, 1 door slider

Spare Part Request Form – Fax Back to 01283 584994



HSK - SPARE PART - Request Form



Ref No. -	Date -
-----------	--------

CUSTOMER DETAILS

Customer		Retailer	
Name		Name	
Address		Address	
Post Code		Post Code	
Contact No.		Contact No.	

PRODUCT DETAILS

Product		Product No.	
Part No's Req'd			
Inst. Instr. No.			

OFFICE INFORMATION ONLY

Chargeable?		Inv. No.	
Sent Via		Sent Date	
HSK Conf. No.		Conf. Date	
UK Stock Qty		Order Ref	

- | | | | | | |
|------|---|----|--|----|--|
| Pos. | 2 x wall connection profile | 10 | 8 x dowel S6 | 42 | 1 x cap, right |
| 1 | | 11 | 8 x countersunk-head screw | 43 | 1 x cap, left |
| 2 | 1 x side panel | | 4,2 x 45 mm | 44 | 2 x pull-in cover button |
| 3 | 1 x sealing profile vertical | 12 | 9 x countersunk-head screw | 46 | 1 x edge protection |
| 4 | 1 x door right / left | | 3,5 x 9,5 mm | 48 | 1 x hexagonal wrench SW 4 |
| 5 | 1 x handle complete | 13 | 6 x cover cap for countersunk head screw | 49 | 1 x assembly aid |
| 7 | 1 x upper frame profiles | | 2,9 x 9,5 mm | 50 | 1 x hexagonal wrench SW 2 |
| 8 | 2 x side panel profile | 14 | 1 x hook | 51 | 1 x assembly aid |
| 9 | 3(2) x carriage complete | 17 | 1 x countersunk head screw | 52 | 2 x assembly aid |
| 9.1 | 3(2) x roll of ball bearing with axis | | 2,9 x 9,5 mm | 55 | 2 x buffer |
| 9.2 | 3(2) x top of carriage | 18 | 4 x tapping screw 3,5 x 45 mm | 60 | 1 x cover |
| 9.3 | 3(2) x bolt | 20 | 1 x wall connection profile recess | 61 | 1 x plate |
| 9.4 | 3(2) x base of carriage | 21 | 3 x caps | 62 | 1 x protection film |
| 9.5 | 6(4) x countersunk-head screw M3 x 6 mm | 22 | 1 x sealing profile | 63 | 1 x door guide |
| 9.6 | 3(2) x disk protection plastic | 26 | 1 x aluminum sealing profile | 64 | 1 x change insert/ water repellent profile |
| 9.7 | 3(2) x disk protection | 29 | 1 x end caps right | 65 | 1 x countersunk head screw M6 x 20 mm |
| 9.8 | 3(2) x inlay | 30 | 1 x end caps left | | |
| 9.9 | 3(2) x attachment screw M8 | 31 | 1 x cap hook | | |
| 9.10 | 3(2) x cap | 35 | 2 x end caps left/ right | | |