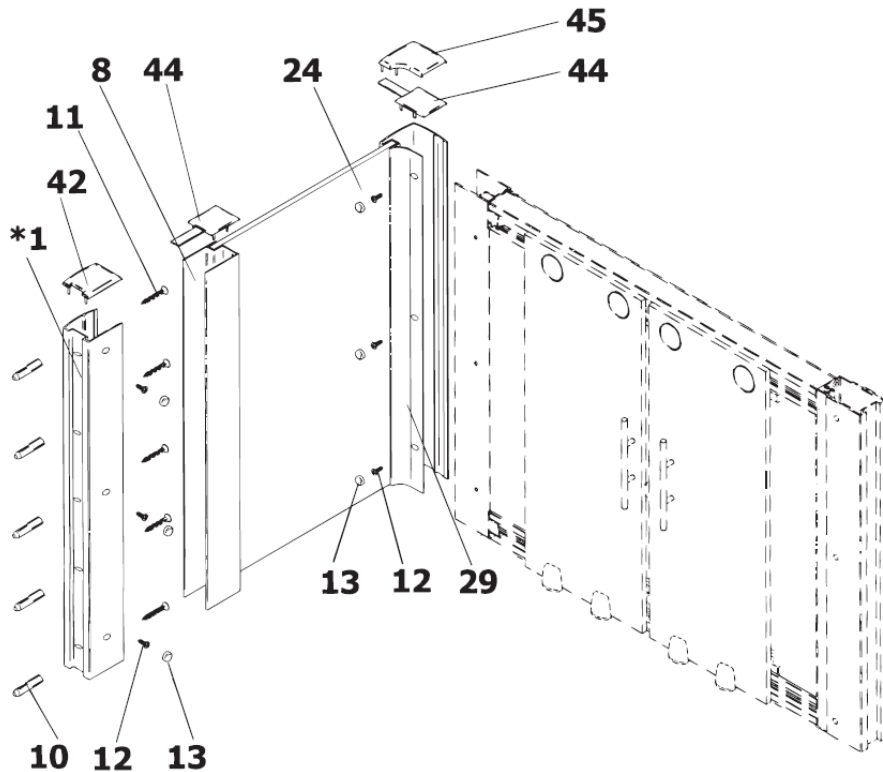


Solida – Side Panel (with 1 or 2 door slider)

Spare Part Request Form – Fax Back to 01283 584994



HSK - SPARE PART - Request Form



Pos.

- | | | | |
|----|---|----|---------------------------|
| *1 | 1 x wall connection profile | 24 | 1 x side panel left/right |
| 8 | 1 x side panel profile | 29 | 1 x connecting profile |
| 10 | 5 x dowel | 42 | 2 x cap right/left |
| 11 | 5 x countersunk head screw 4,2 x 32 mm | 44 | 1 x pull-in cover button |
| 12 | 6 x countersunk head screw 3,5 x 9,5 mm | 45 | 2 x cap left/ right |
| 13 | 6 x cap | | |

* wall connection profile from slider

Ref No. -	Date -
-----------	--------

CUSTOMER DETAILS

Customer		Retailer	
Name		Name	
Address		Address	
Post Code		Post Code	
Contact No.		Contact No.	

PRODUCT DETAILS

Product		Product No.	
Part No's			
Req'd			
Inst. Instr. No.			

OFFICE INFORMATION ONLY

Chargeable?		Inv. No.	
Sent Via		Sent Date	
HSK Conf. No.		Conf. Date	
UK Stock Qty		Order Ref	