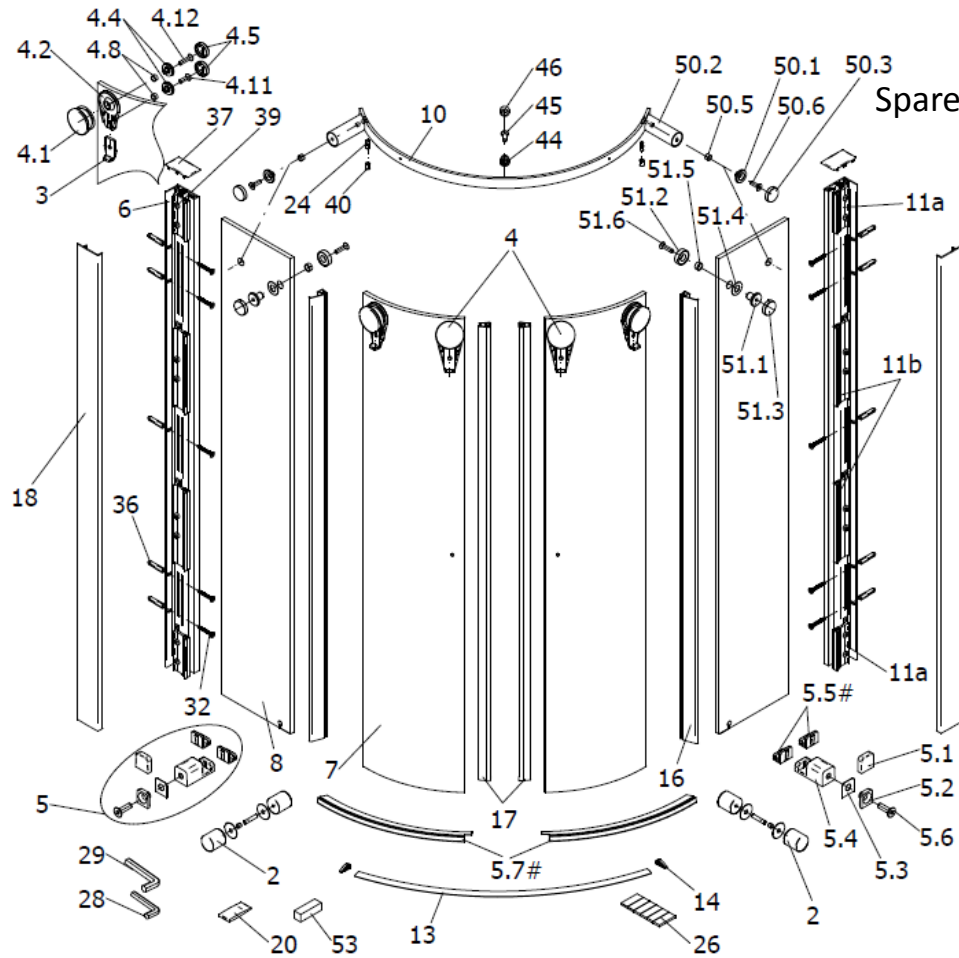


Atelier – Quadrant Slider



Spare Part Request Form – Fax Back to 01283 584994

HSK - SPARE PART - Request Form



- | | | | |
|------|---------------------------------------|------|--------------------------------------|
| Pos. | | | |
| 2 | 2 x handle complete | 10 | 1 x slide rail |
| 3 | 4 x counterholder | 11a | 2 x clamping profile |
| 4 | 4 x complete roll | 11b | 2 x clamping profile |
| 4.1 | 4 x roll | 13 | 1 x aluminum sealing profile |
| 4.2 | 4 x inside cover | 14 | 2 x end caps left/right |
| 4.4 | 8 x counterpiece | 16 | 2 x F 1 sealing, long |
| 4.5 | 8 x cap | 17 | 2 x magnet profile |
| 4.8 | 8 x rubber bush | 18 | 2 x clip profile |
| 4.11 | 4 x countersunk-head screw M6 x 20 mm | 20 | 1 x underlay |
| 4.12 | 4 x countersunk-head screw M6 x 25 mm | 24 | 2 x cylinder head screw M5 |
| 5 | 2 x door guide complete | 26 | 1 x adhesive stripes |
| 5.1 | 2 x cover | 28 | 1 x hexagonal wrench SW 3 |
| 5.2 | 2 x plate | 29 | 1 x hexagonal wrench SW 4 |
| 5.3 | 2 x protection film | 32 | 10 x lens screw 4,2 x 45 mm |
| 5.4 | 2 x door guide | 36 | 10 x dowel S6 |
| 5.5# | 4 x change insert 6/8 mm | 37 | 2 x cap |
| 5.6 | 2 x countersunk head screw M6x20 mm | 39 | 16 x cylinder head screw M6 x 18 mm |
| 5.7# | 2 x water repellent profile | 40 | 2 x flexible tube for door-folding |
| 6 | 2 x wall connection profile | 44 | 1 x contacts center |
| 7 | 2 x door glass panel | 45 | 1 x countersunk-head screw M6 x 20mm |
| 8 | 2 x fixed panels | 46 | 1 x flexible tube for door-folding |
| | | 50 | 2 x slide rail fixing |
| | | 50.1 | 2 x counterpiece |
| | | 50.2 | 2 x spacer ring |
| | | 50.3 | 2 x cap |
| | | 50.5 | 2 x rubber bush |
| | | 50.6 | 2 x countersunk-head screw M6 x 20mm |
| | | 51 | 2 x slide rail fixing |
| | | 51.1 | 2 x handle |
| | | 51.2 | 2 x spacer ring |
| | | 51.3 | 2 x cap |
| | | 51.4 | 2 x washer |
| | | 51.5 | 2 x rubber bush |
| | | 51.6 | 2 x countersunk-head screw M6 x 25mm |
| | | 53 | 4 x assembly aid |
| | | # | optional |

Ref No. -	Date -
-----------	--------

CUSTOMER DETAILS

Customer		Retailer	
Name		Name	
Address		Address	
Post Code		Post Code	
Contact No.		Contact No.	

PRODUCT DETAILS

Product	Product No.
Part No's	
Req'd	
Inst. Instr. No.	

OFFICE INFORMATION ONLY

Chargeable?	Inv. No.
Sent Via	Sent Date
HSK Conf. No.	Conf. Date
UK Stock Qty	Order Ref