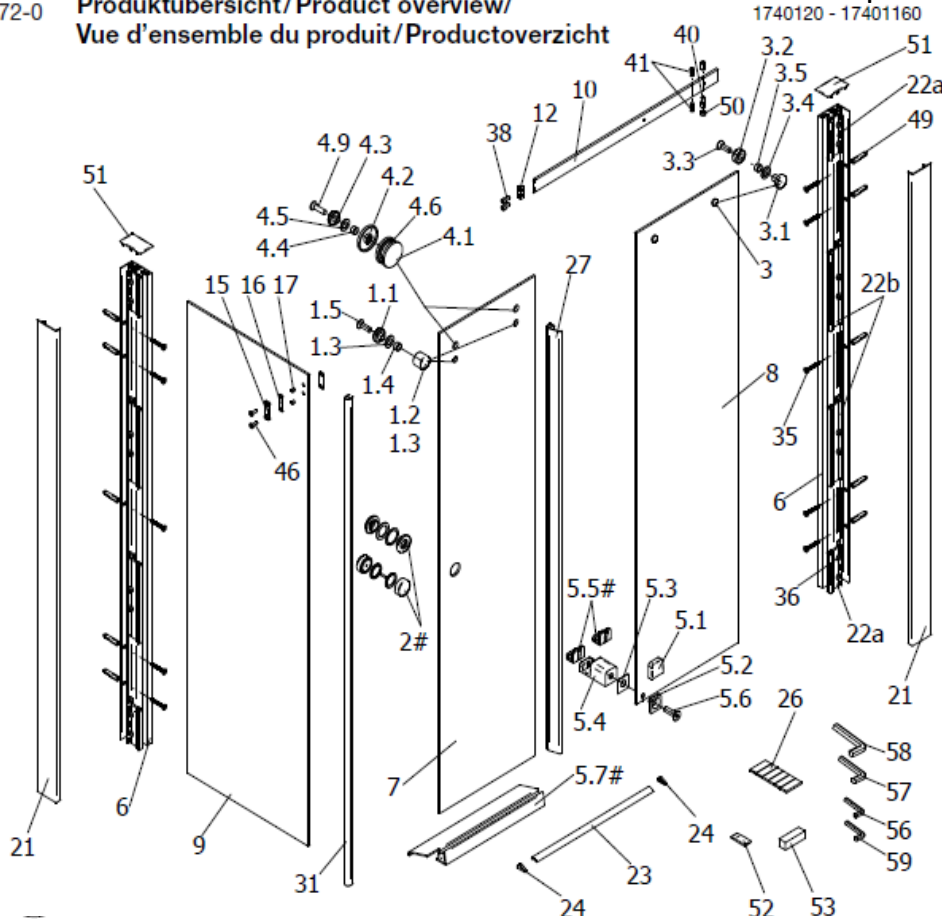


# Atelier – Recess Slider – 1 door & Side Panel



Spare Part Request Form – Fax Back to 01283 584994

1272-0 Produktübersicht/Product overview/  
Vue d'ensemble du produit/Productoverview



- |      |                                       |  |  |
|------|---------------------------------------|--|--|
| Pos. | 1 2 x counterholder                   | 5 1 x door guide                         | 24 2 x end caps left/right               |
| 1.1  | 2 x counterpiece                      | 5.1 1 x cover                            | 26 1 x adhesive stripes                  |
| 1.2  | 2 x ring lower                        | 5.2 1 x plate                            | 27 1 x F 1 sealing, long                 |
| 1.3  | 4 x disk for counterpiece             | 5.3 1 x protection film                  | 31 1 x sealing                           |
| 1.4  | 2 x rubber bush                       | 5.4 1 x door guide                       | 35 10 x lens screw 4,2 x 45 mm           |
| 1.5  | 2 x countersunk-head screw M8 x 25 mm | 5.5 2 x change insert                    | 36 16 x cylinder head screw M6 x 18 mm   |
| 2#   | 1 x O-grip/ handle (optional)         | 5.5# 1 x countersunk head screw M6x20 mm | 38 2 x cylinder head screw M5 x 12 mm    |
| 3    | 2 x slide rail fixing                 | 5.7# 1x. water repellent profile         | 40 1 x cylinder head screw M5            |
| 3.1  | 2 x handle                            | 6 2 x wall connection profile            | 41 3 x stud M5 x 10 mm                   |
| 3.2  | 2 x ring                              | 7 1 x door glass panel                   | 46 2 x countersunk-head screw M6 x 20 mm |
| 3.3  | 2 x countersunk-head screw M8 x 25 mm | 8 1 x fixed panel                        | 49 10 x dowel                            |
| 3.4  | 4 x disk for slide rail fixing        | 9 1 x side panel                         | 50 1 x flexible tube for door-folding    |
| 3.5  | 2 x rubber bush                       | 10 1 x slide rail                        | 51 2 x cap                               |
| 4    | 2 x complete roll                     | 12 1 x connecting piece                  | 52 2 x underlay                          |
| 4.1  | 2 x outside cover                     | 15 1 x cover slide rail                  | 53 2 x assembly aid                      |
| 4.2  | 2 x inside cover                      | 16 2 x protection film                   | 56 1 x hexagonal wrench SW 3             |
| 4.3  | 2 x counterpiece                      | 17 2 x security grommet                  | 57 1 x hexagonal wrench SW 4             |
| 4.4  | 2 x rubber bush                       | 21 2 x clip profile                      | 58 1 x hexagonal wrench SW 5             |
| 4.5  | 2 x disk for counterpiece             | 22a 2 x clamping profile                 | 59 1 x hexagonal wrench SW 2,5           |
| 4.6  | 2 x roll                              | 22b 2 x clamping profile                 |  |
| 4.9  | 2 x countersunk-head screw M8 x 25mm  | 23 1 x aluminum sealing profile          |  |
|      |                                       |  | # optional                               |

## HSK - SPARE PART - Request Form

Ref No. -	Date -
-----------	--------

### CUSTOMER DETAILS

Customer		Retailer	
Name		Name	
Address		Address	
Post Code		Post Code	
Contact No.		Contact No.	

### PRODUCT DETAILS

Product	Product No.
Part No's	
Req'd	
Inst. Instr. No.	

### OFFICE INFORMATION ONLY

Chargeable?	Inv. No.
Sent Via	Sent Date
HSK Conf. No.	Conf. Date
UK Stock Qty	Order Ref