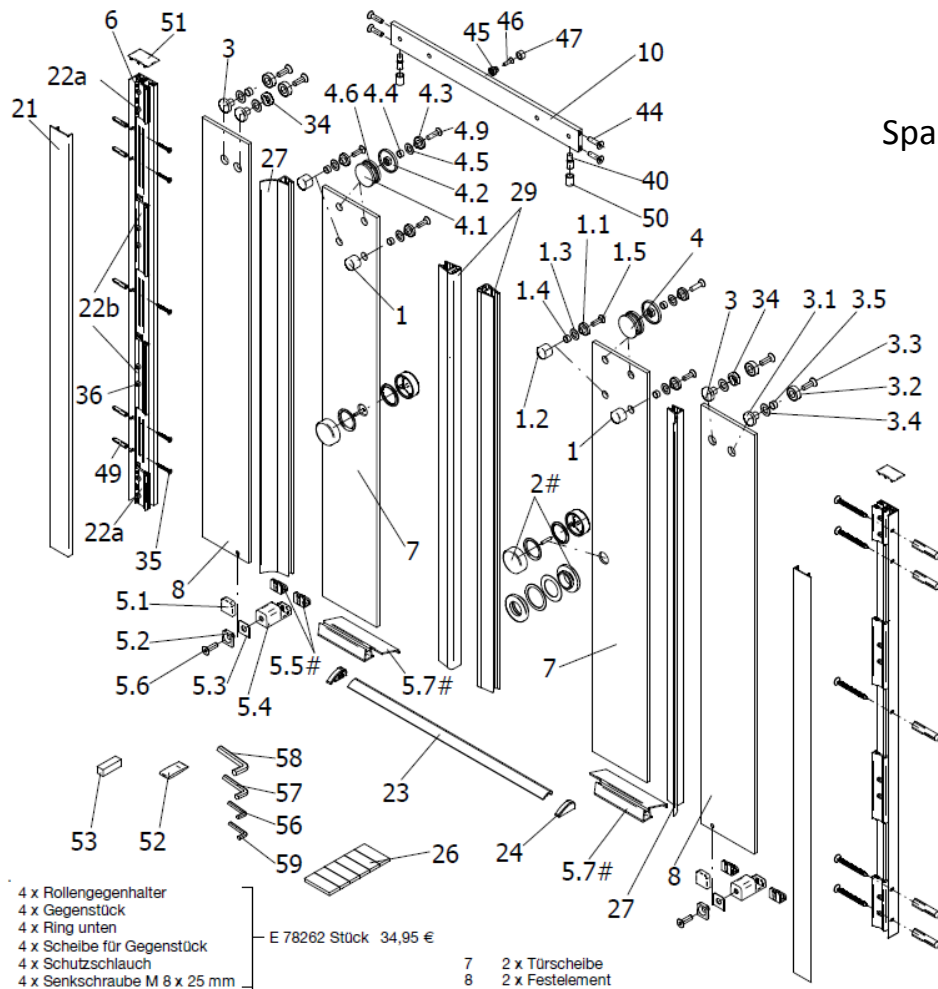


Atelier – Recess Slider – 2 door

Spare Part Request Form – Fax Back to 01283 584994



HSK - SPARE PART - Request Form



- | | | |
|---|---|---|
| 1 4 x counterholder | 4.9 4 x countersunk-head screw M8 x 25 mm | 29 2 x magnet profile |
| 1.1 4 x counterpiece | 5 2 x door guide | 34 2 x centring sleeve |
| 1.2 4 x ring lower | 5.1 2 x cover | 35 10 x lens screw 4,2 x 45 mm |
| 1.3 4 x disk for counterpiece | 5.2 2 x plate | 36 16 x cylinder head screw M6 x 18 mm |
| 1.4 4 x rubber bush | 5.3 2 x protection film | 40 2 x cylinder head screw M5 |
| 1.5 4 x countersunk-head screw M8 x 25 mm | 5.4 2 x door guide | 44 4 x stud M4 x 16 mm |
| 2# 2 x O-grip/ handle (optional) | 5.5# 4 x change insert/ | 45 1 x contacts center |
| 3 4 x slide rail fixing | 5.6 2 x countersunk head screw M6x20 mm | 46 1 x countersunk-head screw M6 x 20mm |
| 3.1 4 x handle | 5.7# 2 x water repellent profile | 47 1 x flexible tube for door-folding |
| 3.2 4 x ring | 6 2 x wall connection profile | 49 10 x dowel S6 x 38 mm |
| 3.3 4 x countersunk-head screw M8 x 25 mm | 7 2 x door glass panel | 50 2 x flexible tube for door-folding |
| 3.4 4 x disk for slide rail fixing | 8 2 x fixed panels | 51 2 x cap |
| 3.5 4 x rubber bush | 10 1 x slide rail | 52 1 x underlay |
| 4 4 x complete roll | 21 2 x clip profile | 53 4 x assembly aid |
| 4.1 4 x outside cover | 22a 4 x clamping profile | 56 1 x hexagonal wrench SW 3 |
| 4.2 4 x inside cover | 22b 4 x clamping profile | 57 1 x hexagonal wrench SW 4 |
| 4.3 4 x counterpiece | 23 1 x aluminum sealing profile | 58 1 x hexagonal wrench SW 5 |
| 4.4 4 x rubber bush | 24 2 x end caps left/right | 59 1 x hexagonal wrench SW 2,5 |
| 4.5 4 x disk for counterpiece | 26 1 x adhesive stripes | # optional |
| 4.6 4 x roll | 27 2 x F 1 sealing, long | |

Ref No. -	Date -
-----------	--------

CUSTOMER DETAILS

Customer		Retailer	
Name		Name	
Address		Address	
Post Code		Post Code	
Contact No.		Contact No.	

PRODUCT DETAILS

Product	Product No.
Part No's	
Req'd	
Inst. Instr. No.	

OFFICE INFORMATION ONLY

Chargeable?	Inv. No.
Sent Via	Sent Date
HSK Conf. No.	Conf. Date
UK Stock Qty	Order Ref