

# Atelier – Pentagon, 1 door



Spare Part Request Form – Fax Back to 01283 584994

## HSK - SPARE PART - Request Form

Ref No. -	Date -
-----------	--------

### CUSTOMER DETAILS

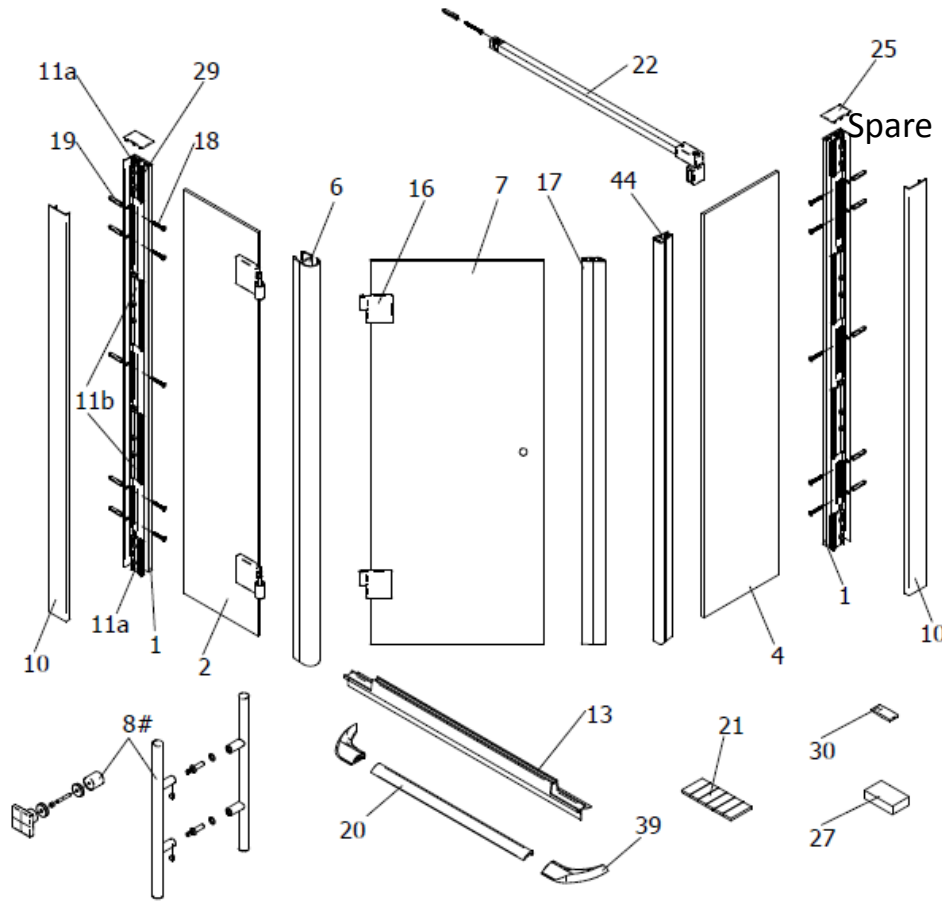
Customer		Retailer	
Name		Name	
Address		Address	
Post Code		Post Code	
Contact No.		Contact No.	

### PRODUCT DETAILS

Product		Product No.	
Part No's			
Req'd			
Inst. Instr. No.			

### OFFICE INFORMATION ONLY

Chargeable?		Inv. No.	
Sent Via		Sent Date	
HSK Conf. No.		Conf. Date	
UK Stock Qty		Order Ref	



Pos.

- |     |                              |    |   |
|-----|------------------------------|----|---|
| 1   | 2 x wall connection profile  | 17 | 1 x magnetic strip 45°                      |
| 2   | 1 x side panel with holes    | 18 | 10 x countersunk head screw 4,2 x 45 mm     |
| 4   | 1 x side panel               | 19 | 10 x dowel S8                               |
| 6   | 1 x sealing profile vertical | 20 | 1 x aluminum sealing profile                |
| 7   | 1 x door                     | 21 | 1 x adhesive stripes                        |
| 8#  | 1 x handle complete          | 22 | 2 x side support                            |
| 10  | 2 x clip profile             | 25 | 2 x cap                                     |
| 11a | 4 x clamping profile         | 27 | 2 x assembly aid                            |
| 11b | 4 x clamping profile         | 29 | 16 x cylinder head screw M6 x 18 mm         |
| 13  | 1 x water-repellent profile  | 30 | 1 x underlay                                |
| 16  | 2 x complete hinge           | 39 | 2 x cover button 135°, 1 x left / 1 x right |
|     |                              | 44 | 1 x magnetic strip 90°                      |

# optionally