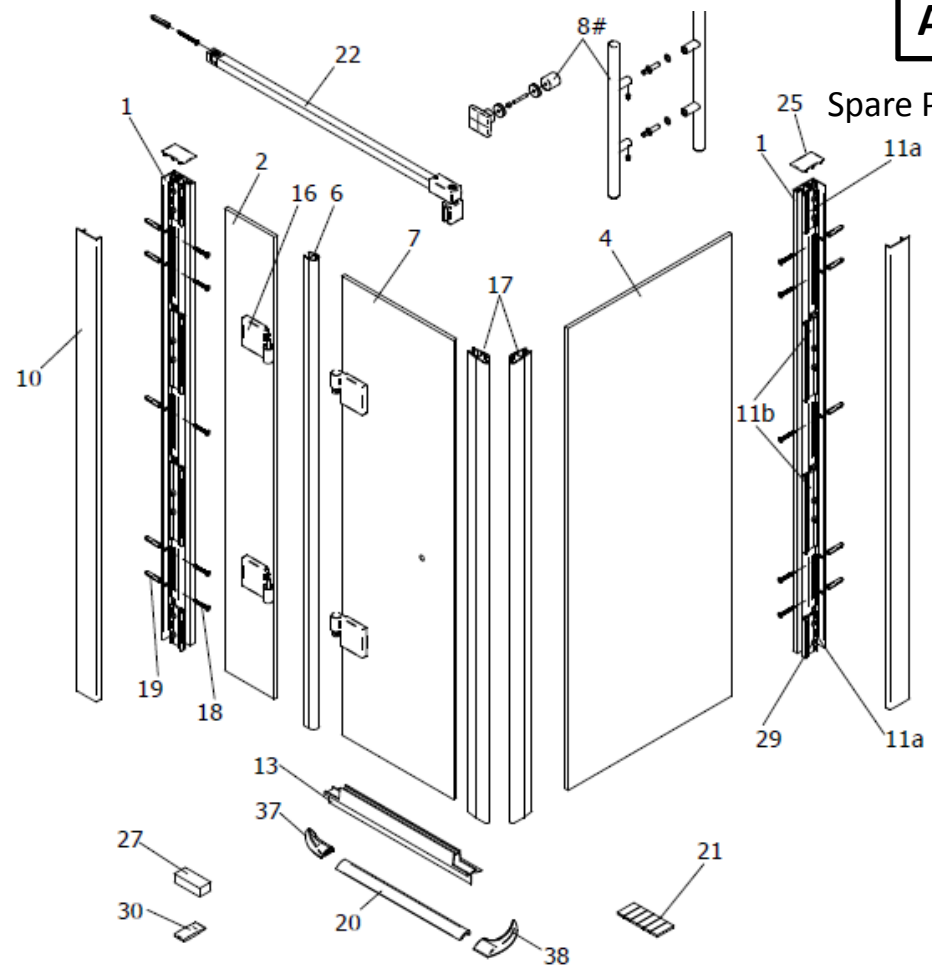


# Atelier – Hinged Door & Side Panel



Spare Part Request Form – Fax Back to 01283 584994



## HSK - SPARE PART - Request Form

Ref No. -	Date -
-----------	--------

### CUSTOMER DETAILS

Customer		Retailer	
Name		Name	
Address		Address	
Post Code		Post Code	
Contact No.		Contact No.	

### PRODUCT DETAILS

Product		Product No.	
Part No's Req'd			
Inst. Instr. No.			

- |      |                              |    |                                         |
|------|------------------------------|----|-----------------------------------------|
| Pos. |                              |    |                                         |
| 1    | 2 x wall connection profile  | 17 | 2 x magnetic strip                      |
| 2    | 1 x side panel with holes    | 18 | 10 x countersunk head screw 4,2 x 45 mm |
| 4    | 1 x side panel               | 19 | 10 x dowel S6                           |
| 6    | 1 x sealing profile vertical | 20 | 1 x aluminum sealing profile            |
| 7    | 1 x door                     | 21 | 1 x adhesive stripes                    |
| 8#   | 1 x handle complete          | 22 | 2 x side support                        |
| 10   | 2 x clip profile             | 25 | 2 x cap                                 |
| 11a  | 4 x clamping profile         | 27 | 2 x assembly aid                        |
| 11b  | 4 x clamping profile         | 29 | 16 x cylinder head screw M6 x 18 mm     |
| 13   | 1 x water-repellent profile  | 30 | 1 x underlay                            |
| 16   | 2 x complete hinge           | 37 | 1 x cover button 180°                   |
|      |                              | 38 | 1 x cover button 90°                    |
|      |                              |    | # optionally                            |

### OFFICE INFORMATION ONLY

Chargeable?	Inv. No.
Sent Via	Sent Date
HSK Conf. No.	Conf. Date
UK Stock Qty	Order Ref