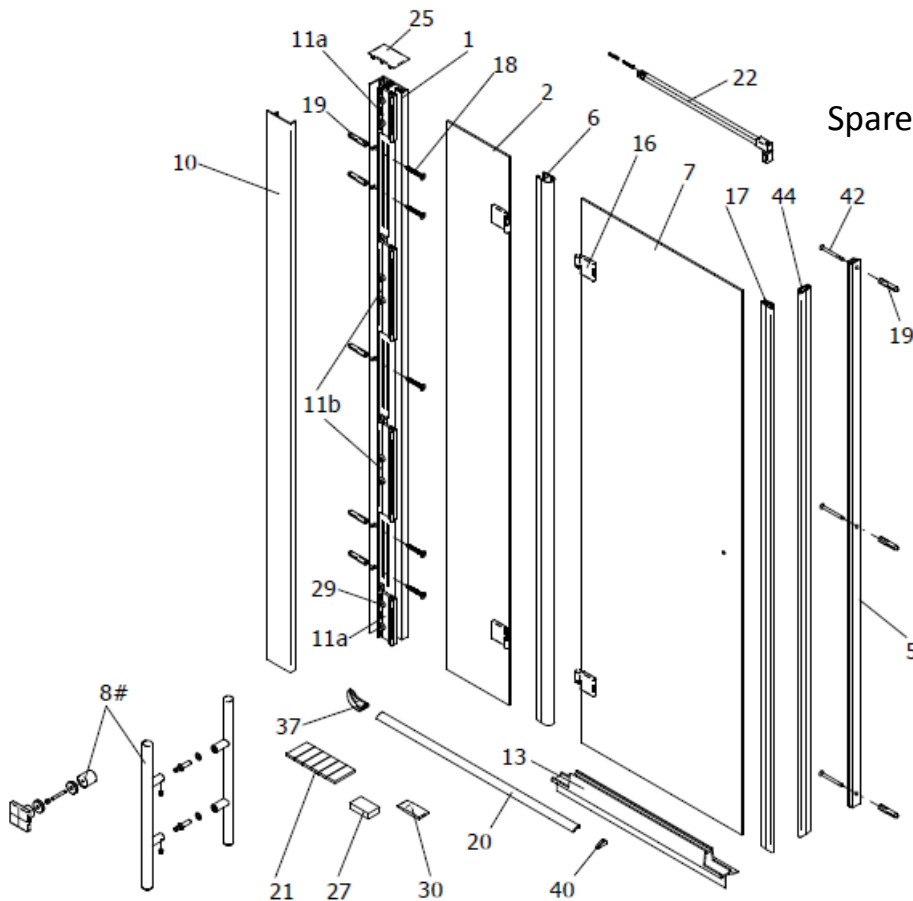


Atelier – Hinged Door for Recess



Spare Part Request Form – Fax Back to 01283 584994

HSK - SPARE PART - Request Form



Ref No. -	Date -
-----------	--------

CUSTOMER DETAILS

Customer		Retailer	
Name		Name	
Address		Address	
Post Code		Post Code	
Contact No.		Contact No.	

PRODUCT DETAILS

Product		Product No.	
Part No's			
Req'd			
Inst. Instr. No.			

- | | | | |
|------|--|----|---|
| Pos. | | | |
| 1 | 1 x wall connection profile | 19 | 5 x dowel S6 |
| 2 | 1 x side panel with holes | 20 | 1 x aluminum sealing profile |
| 5 | 1 x magnet retaining profile | 21 | 1 x adhesive stripes |
| 6 | 1 x sealing profile vertical | 22 | 1 x side support |
| 7 | 1 x door | 25 | 1 x cap |
| 8# | 1 x handle complete | 27 | 2 x assembly aid |
| 10 | 1 x clip profile | 29 | 8 x cylinder head screw M6 x 18 mm |
| 11a | 1 x clamping profile | 30 | 1 x underlay |
| 11b | 1 x clamping profile | 37 | 1 x cover button 180° |
| 13 | 1 x water-repellent profile | 40 | 1 x cover button |
| 16 | 2 x complete hinge | 42 | 3 x countersunk head screw 3,5 x 9,5 mm |
| 17 | 1 x magnetic strip | 44 | 1 x magnetic strip |
| 18 | 5 x countersunk head screw 4,2 x 45 mm | | |

optionally

OFFICE INFORMATION ONLY

Chargeable?	Inv. No.
Sent Via	Sent Date
HSK Conf. No.	Conf. Date
UK Stock Qty	Order Ref