

Noblesse – Hinged Door for Recess



Spare Part Request Form – Fax Back to 01283 584994

HSK - SPARE PART - Request Form

Ref No. -	Date -
-----------	--------

CUSTOMER DETAILS

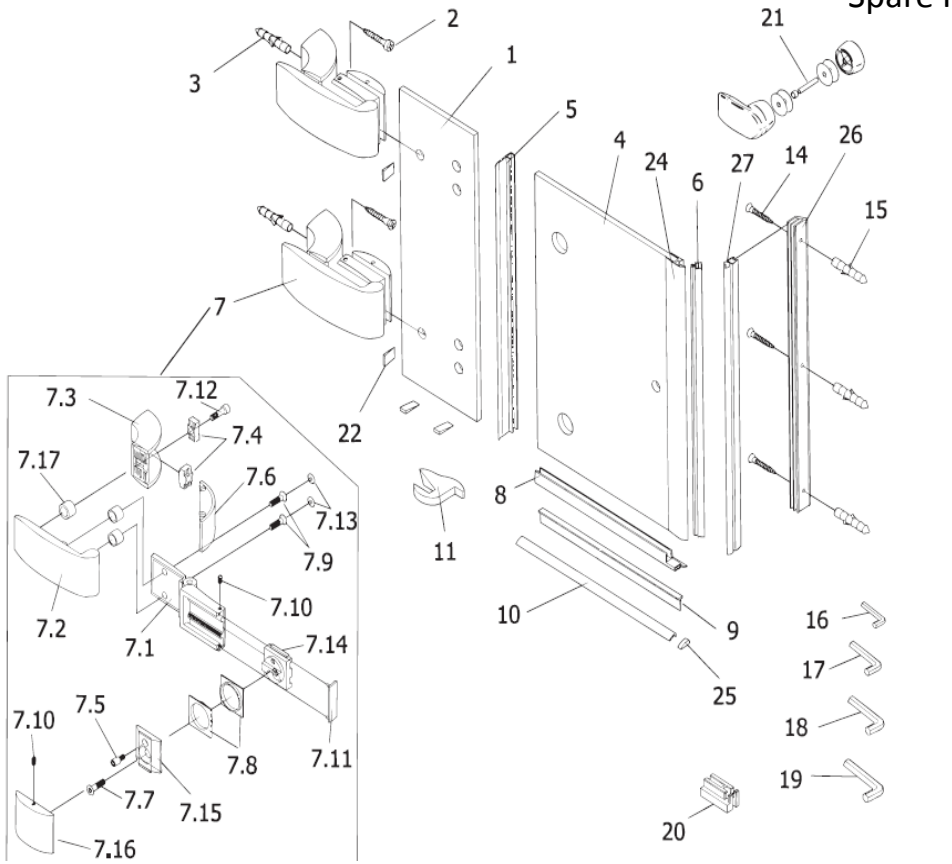
Customer		Retailer	
Name		Name	
Address		Address	
Post Code		Post Code	
Contact No.		Contact No.	

PRODUCT DETAILS

Product	Product No.
Part No's Req'd	
Inst. Instr. No.	

OFFICE INFORMATION ONLY

Chargeable?	Inv. No.
Sent Via	Sent Date
HSK Conf. No.	Conf. Date
UK Stock Qty	Order Ref



- | | | |
|--|---|---|
| <p>Pos.</p> <p>1 1 x fixed panels</p> <p>2 2 x Raised countersunk tapping screw 6,3 x 80 mm</p> <p>3 2 x dowel S8</p> <p>4 1 x door</p> <p>5 1 x sealing profile</p> <p>6 1 x magnetic strip</p> <p>7 2 x complete hinge</p> <p>7.1 2 x joint side panel</p> <p>7.2 2 x outside cover</p> <p>7.3 2 x bridge fixed panel</p> <p>7.4 4 x covering stop</p> <p>7.5 2 x screw M5 Fassete</p> <p>7.6 2 x cover part of the hinge for fixed panel</p> <p>7.7 2 x countersunk head screw M8 x 20 mm</p> <p>7.8 4 x sealing door</p> | <p>7.9 4 x countersunk head screw M6 x 14 mm</p> <p>7.10 2 x stud M4 x 5 mm</p> <p>7.11 2 x cap door</p> <p>7.12 2 x Cylinder head screw M6 x 20 mm</p> <p>7.13 4 x cap for countersunk-head screw</p> <p>7.14 2 x adjustment door disc</p> <p>7.15 2 x pick-up door disc inside</p> <p>7.16 2 x cap for pick-up door disc</p> <p>7.17 6 x rubber bush</p> <p>8 1 x water-repellent profile 1 x left / 1 x right</p> <p>9 1 x pull-in sealing</p> <p>10 1 x aluminum sealing profile</p> <p>11 2 x cap 1 x left / 1 x right</p> <p>14 3 x countersunk-head screw 3,5 x 50 mm</p> <p>15 3 x dowel ø 6 mm</p> | <p>16 1 x hexagonal wrench SW2</p> <p>17 1 x hexagonal wrench SW3</p> <p>18 1 x hexagonal wrench SW4</p> <p>19 1 x hexagonal wrench SW5</p> <p>20 2 x assembly aid</p> <p>21 1 x handle complete</p> <p>22 4 x underlay</p> <p>24 1 x magnet retaining profile</p> <p>25 1 x end caps left/right</p> <p>26 1 x magnet retaining profile wall</p> <p>27 1 x magnetic strip</p> |
|--|---|---|