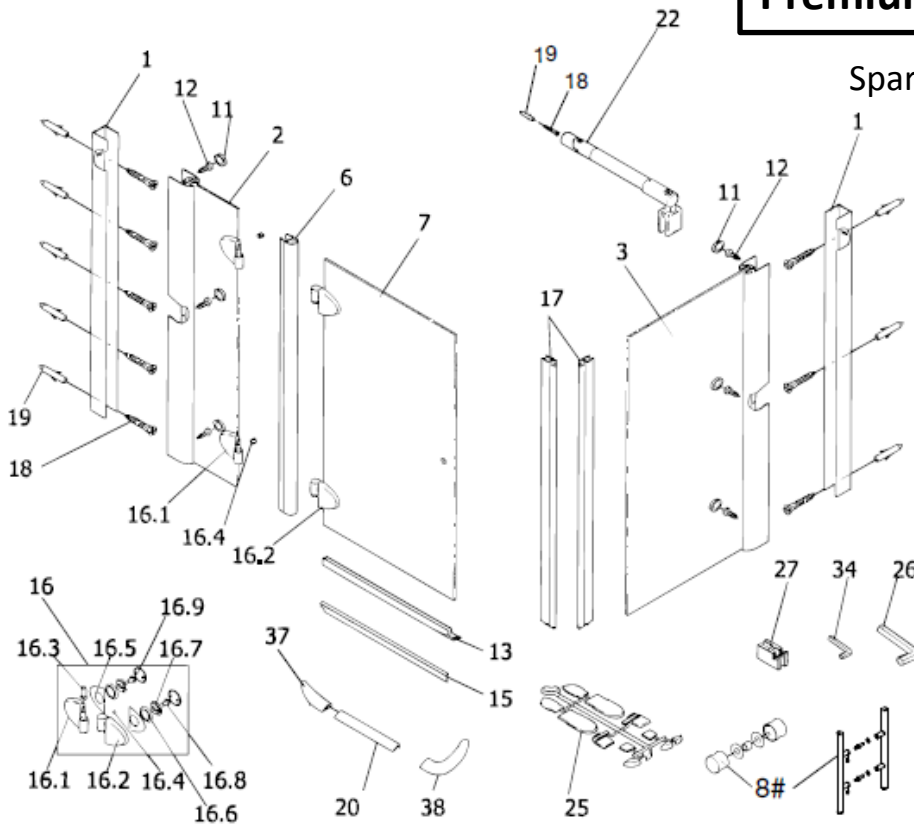


# Premium Softcube– Hinged Door & Side Panel

Spare Part Request Form – Fax Back to 01283 584994

HSK

## HSK - SPARE PART - Request Form



Pos.

- 1 2 x wall connection profile for side panel
- 2 1 x side panel with holes
- 3 1 x side panel
- 6 1 x sealing profile vertical
- 7 1 x door
- 8 1 x handle complete
- 11 6 x cap for countersunk head screw
- 12 6 x countersunk head screw 3,5 x 9,5 mm
- 13 1 x water-repellent profile
- 15 1 x pull-in sealing
- 16 2 x complete hinge
- 16.1 2 x part of the hinge for fixed panel
- 16.2 2 x part of the hinge for the door
- 16.3 2 x bearing bush
- 16.4 2 x fixing screw M3 x 3 mm
- 16.5 4 x sealing

- 16.6 4 x disk protection
- 16.7 4 x inlay
- 16.8 4 x attachment screw M8
- 16.9 4 x cap
- 17 2 x magnet profile 45°
- 18 9 x countersunk head screw 4,2 x 45 mm
- 19 9 x dowel S6
- 20 1 x aluminum sealing profile
- 22 1 x side support complete
- 25 1 x shield range
- 26 1 x hexagonal wrench SW 4
- 27 2 x assembly aid 1
- 34 1 x hexagonal wrench SW 2
- 37 1 x cap 180°
- 38 1 x cap 90°

Ref No. -	Date -
-----------	--------

### CUSTOMER DETAILS

Customer		Retailer	
Name		Name	
Address		Address	
Post Code		Post Code	
Contact No.		Contact No.	

### PRODUCT DETAILS

Product	Product No.
Part No's	
Req'd	
Inst. Instr. No.	

### OFFICE INFORMATION ONLY

Chargeable?	Inv. No.
Sent Via	Sent Date
HSK Conf. No.	Conf. Date
UK Stock Qty	Order Ref