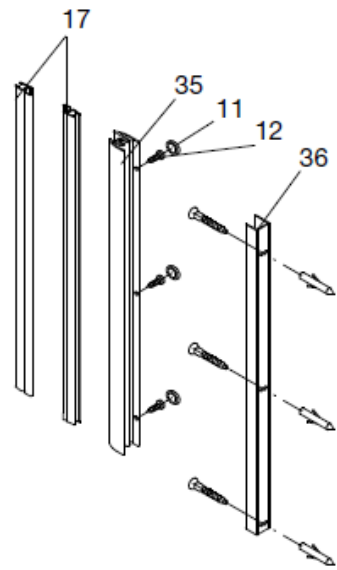
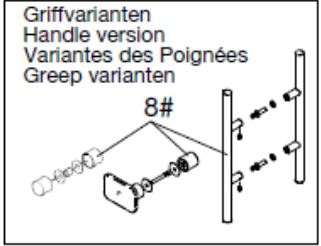
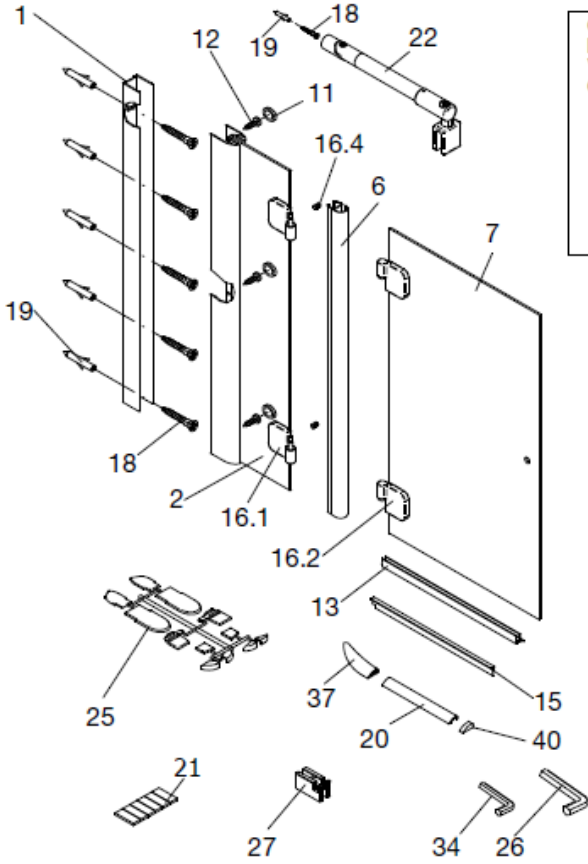


Premium Softcube – Hinged Door for Recess



Spare Part Request Form – Fax Back to 01283 584994

HSK - SPARE PART - Request Form



- | | | | |
|------|---|----|----------------------------------|
| Pos. | | | |
| 1 | 1 x wall connection profile | 19 | 9 x dowel S6 |
| 2 | 1 x side panel with holes | 20 | 1 x aluminum sealing profile |
| 6 | 1 x sealing profile vertical | 21 | 1 x adhesive stripes |
| 7 | 1 x door | 22 | 1 x side support complete |
| 8# | 1 x handle complete | 25 | 1 x shield range |
| 11 | 6 x cap for countersunk head screw | 26 | 1 x hexagonal wrench SW 4 |
| 12 | 6 x countersunk head screw 3,5 x 9,5 mm | 27 | 2 x assembly aid 1 |
| 13 | 1 x water-repellent profile | 34 | 1 x hexagonal wrench SW 2 |
| 15 | 1 x pull-in sealing | 35 | 1 x magnet retaining profile |
| 16 | 2 x complete hinge | 36 | 1 x compensating profiles magnet |
| 16.1 | 2 x part of the hinge for fixed panel | 37 | 1 x cap 180° |
| 16.2 | 2 x part of the hinge for the door | 40 | 1 x end cap |
| 16.4 | 2 x fixing screw M3 x 3 mm | | |
| 17 | 2 x magnet profile | | |
| 18 | 9 x countersunk head screw 4,2 x 45 mm | | |
- # optional

Ref No. -	Date -
-----------	--------

CUSTOMER DETAILS

Customer		Retailer	
Name		Name	
Address		Address	
Post Code		Post Code	
Contact No.		Contact No.	

PRODUCT DETAILS

Product		Product No.	
Part No's			
Req'd			
Inst. Instr. No.			

OFFICE INFORMATION ONLY

Chargeable?		Inv. No.	
Sent Via		Sent Date	
HSK Conf. No.		Conf. Date	
UK Stock Qty		Order Ref	