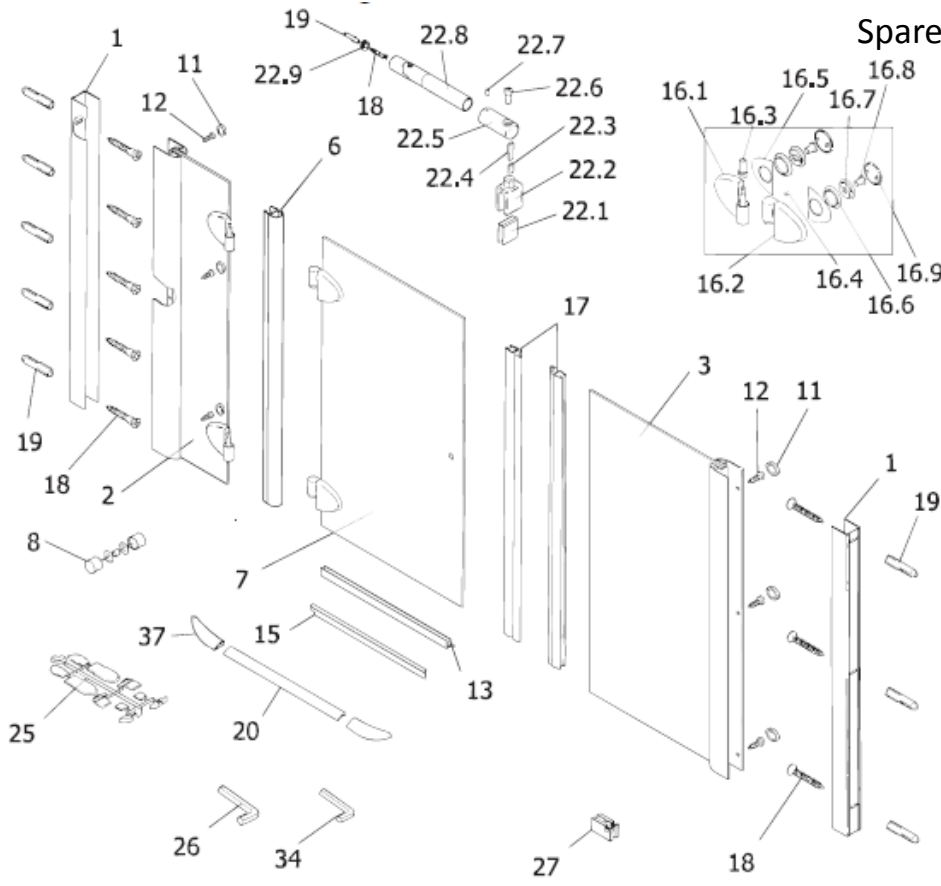


Premium Softcube – Spacious Recess



Spare Part Request Form – Fax Back to 01283 584994

HSK - SPARE PART - Request Form



Ref No. -	Date -
-----------	--------

CUSTOMER DETAILS

Customer		Retailer	
Name		Name	
Address		Address	
Post Code		Post Code	
Contact No.		Contact No.	

PRODUCT DETAILS

Product		Product No.	
Part No's Req'd			
Inst. Instr. No.			

OFFICE INFORMATION ONLY

Chargeable?		Inv. No.	
Sent Via		Sent Date	
HSK Conf. No.		Conf. Date	
UK Stock Qty		Order Ref	

- | | | | |
|------|---|------|---|
| Pos. | | | |
| 1 | 2 x wall connection profile | 17 | 2 x magnet |
| 2 | 1 x side panel with holes | 18 | 10 x countersunk head screw 4,2 x 45 mm |
| 3 | 1 x side panel | 19 | 10 x dowel S6 |
| 6 | 1 x sealing profile vertical | 20 | 1 x aluminum sealing profile |
| 7 | 1 x door | 22 | 2 x side support |
| 8 | 1 x handle complete | 22.1 | 2 x glass protection |
| 11 | 6 x cap for countersunk head screw | 22.2 | 2 x glass leap |
| 12 | 6 x countersunk head screw 3,5 x 9,5 mm | 22.3 | 2 x clamp |
| 13 | 1 x water-repellent profile left | 22.4 | 2 x connection piece |
| 15 | 1 x pull-in sealing | 22.5 | 2 x wall support |
| 16 | 2 x complete hinge | 22.6 | 2 x Hexagonal screw M6 x 16mm |
| 16.1 | 2 x part of the hinge for fixed panel | 22.7 | 2 x stud M4 x 4mm |
| 16.2 | 2 x part of the hinge for the door | 22.8 | 2 x pipe |
| 16.3 | 2 x bearing bush | 22.9 | 2 x fixing of wall |
| 16.4 | 2 x fixing screw M3 x 3 mm | 25 | 1 x shield range |
| 16.5 | 4 x sealing | 26 | 1 x hexagonal wrench SW 4 |
| 16.6 | 4 x disk protection | 27 | 2 x assembly aid 1 |
| 16.7 | 4 x inlay | 34 | 1 x hexagonal wrench SW 2 |
| 16.8 | 4 x attachment screw M8 | 37 | 2 x cap 180° |
| 16.9 | 4 x cap | | |