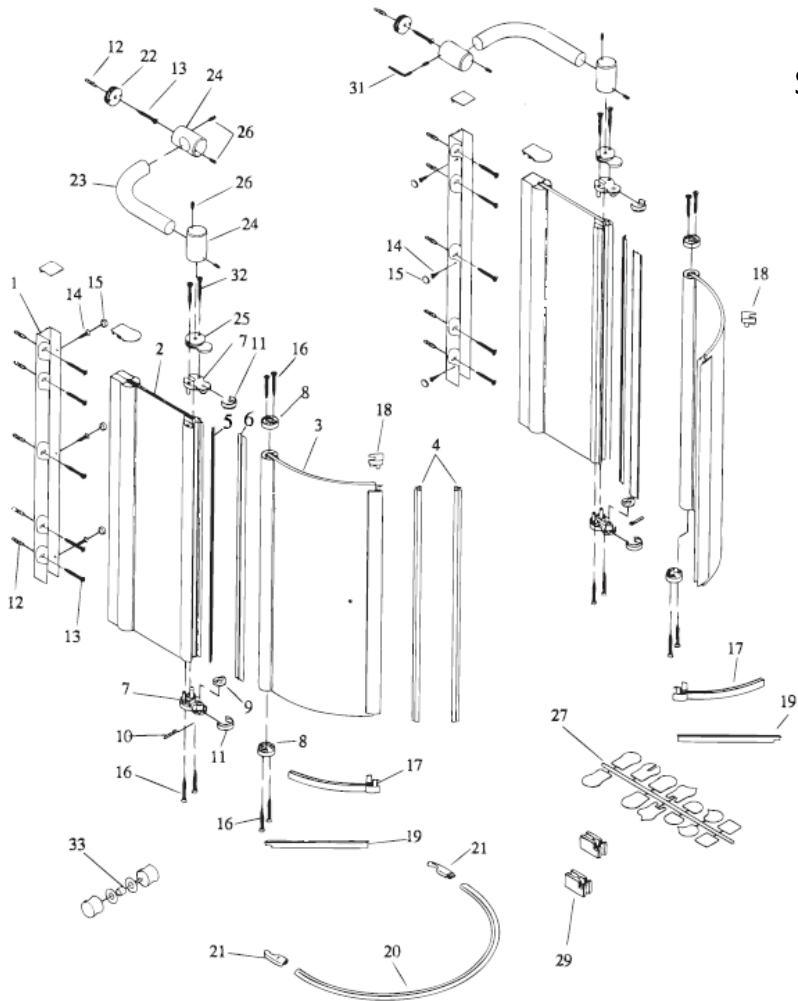


# Exklusiv – D Shape



Spare Part Request Form – Fax Back to 01283 584994

## HSK - SPARE PART - Request Form



Ref No. -	Date -
-----------	--------

### CUSTOMER DETAILS

Customer		Retailer	
Name		Name	
Address		Address	
Post Code		Post Code	
Contact No.		Contact No.	

### PRODUCT DETAILS

Product	Product No.
Part No's Req'd	
Inst. Instr. No.	

- |                                                                                                                                                                                                                                                                                                                                                                                                                                                                                                                                                                      |                                                                                                                                                                                                                                                                                                                                                                                                                                                                                                                                                                                                                                                                                              |
|----------------------------------------------------------------------------------------------------------------------------------------------------------------------------------------------------------------------------------------------------------------------------------------------------------------------------------------------------------------------------------------------------------------------------------------------------------------------------------------------------------------------------------------------------------------------|----------------------------------------------------------------------------------------------------------------------------------------------------------------------------------------------------------------------------------------------------------------------------------------------------------------------------------------------------------------------------------------------------------------------------------------------------------------------------------------------------------------------------------------------------------------------------------------------------------------------------------------------------------------------------------------------|
| <p>Pos.</p> <ul style="list-style-type: none"> <li>1 2 x wall connection profile</li> <li>2 2 x side panel 1 x left / 1 x right</li> <li>3 2 x door</li> <li>4 2 x magnet</li> <li>5 2 x sealing outwards</li> <li>6 2 x inner sealing</li> <li>7 4 x lower part of pivot bearing</li> <li>8 4 x upper part of pivot bearing</li> <li>9 2 x rising butt mechanism</li> <li>10 2 x twist stop</li> <li>11 4 x pivot bearing-cover</li> <li>12 12 x dowel</li> <li>13 12 x screw 4,2 x 45 mm</li> <li>14 6 x screw 3,5 x 9,5 mm</li> <li>15 6 x screw cover</li> </ul> | <ul style="list-style-type: none"> <li>16 12 x screw 3,5 x 25 mm</li> <li>17 2 x water-repellent profile with Cap 1 x R. / 1 x L.</li> <li>18 2 x end cap for magnet retaining profile 1 x R. / 1 x L.</li> <li>19 2 x pull-in sealing</li> <li>20 1 x aluminum sealing profile</li> <li>21 2 x end cap for aluminum sealing profile 1 x r. / 1 x l</li> <li>22 2 x adapter caps</li> <li>23 2 x connecting tube</li> <li>24 4 x straining piece carrier</li> <li>25 2 x adapter</li> <li>26 8 x stud M4 x 6 mm</li> <li>27 1 x shield range</li> <li>29 2 x assembly aid</li> <li>31 1 x hexagonal wrench SW 2</li> <li>32 4 x screw 3,5 x 38 mm</li> <li>33 2 x handle complete</li> </ul> |
|----------------------------------------------------------------------------------------------------------------------------------------------------------------------------------------------------------------------------------------------------------------------------------------------------------------------------------------------------------------------------------------------------------------------------------------------------------------------------------------------------------------------------------------------------------------------|----------------------------------------------------------------------------------------------------------------------------------------------------------------------------------------------------------------------------------------------------------------------------------------------------------------------------------------------------------------------------------------------------------------------------------------------------------------------------------------------------------------------------------------------------------------------------------------------------------------------------------------------------------------------------------------------|

### OFFICE INFORMATION ONLY

Chargeable?	Inv. No.
Sent Via	Sent Date
HSK Conf. No.	Conf. Date
UK Stock Qty	Order Ref