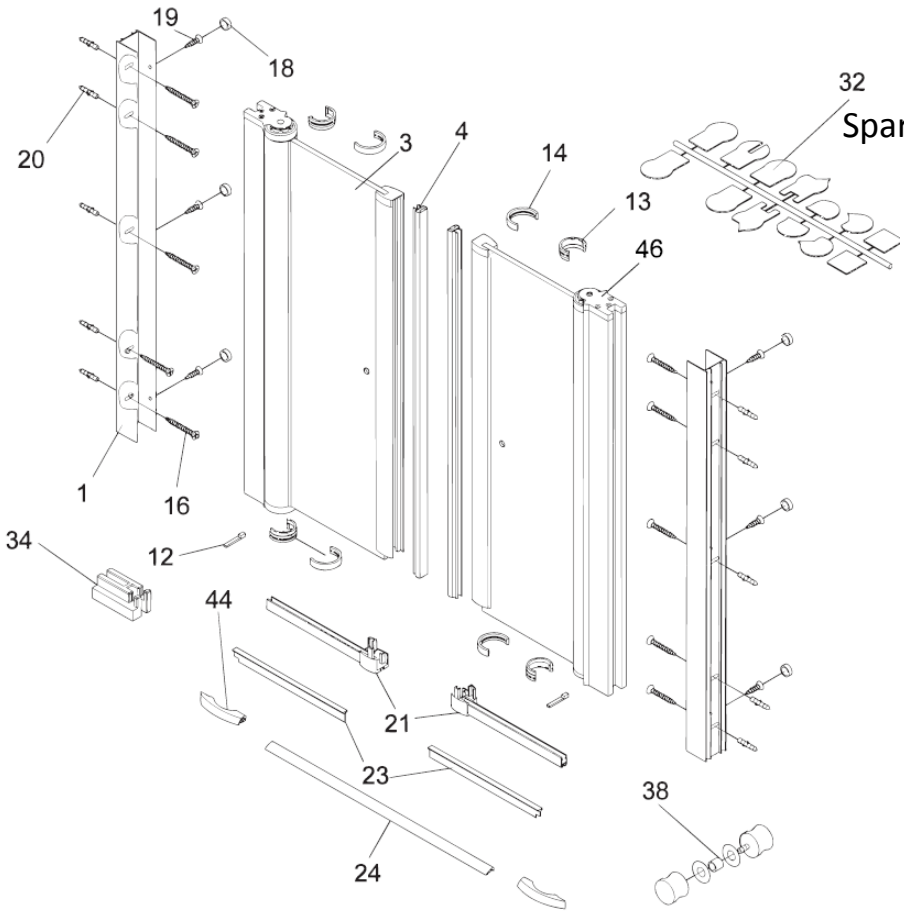


# Exklusiv – Saloon Doors



Spare Part Request Form – Fax Back to 01283 584994

## HSK - SPARE PART - Request Form



- |      |   |    |  |
|------|---|----|--|
| Pos. |   |    |  |
| 1    | 2 x wall connection profile             | 20 | 10 x dowel S6                            |
| 3    | 2 x door                                | 21 | 2 x water-repellent profile              |
| 4    | 2 x magnet                              | 23 | 2 x pull-in sealing                      |
| 12   | 2 x twist stop                          | 24 | 1 x aluminum sealing profile             |
| 13   | 4 x inside cover                        | 32 | 1 x shield range                         |
| 14   | 4 x outside cover                       | 34 | 2 x assembly aid                         |
| 16   | 10 x countersunk-head screw 4,2 x 45 mm | 38 | 1 x handle complete                      |
| 18   | 6 x cap for countersunk head screw      | 44 | 2 x end cap for aluminum sealing profile |
| 19   | 6 x countersunk-head screw 3,5 x 9,5 mm | 46 | 4 x pivot bearing                        |

Ref No. -	Date -
-----------	--------

### CUSTOMER DETAILS

Customer		Retailer	
Name		Name	
Address		Address	
Post Code		Post Code	
Contact No.		Contact No.	

### PRODUCT DETAILS

Product	Product No.
Part No's Req'd	
Inst. Instr. No.	

### OFFICE INFORMATION ONLY

Chargeable?	Inv. No.
Sent Via	Sent Date
HSK Conf. No.	Conf. Date
UK Stock Qty	Order Ref