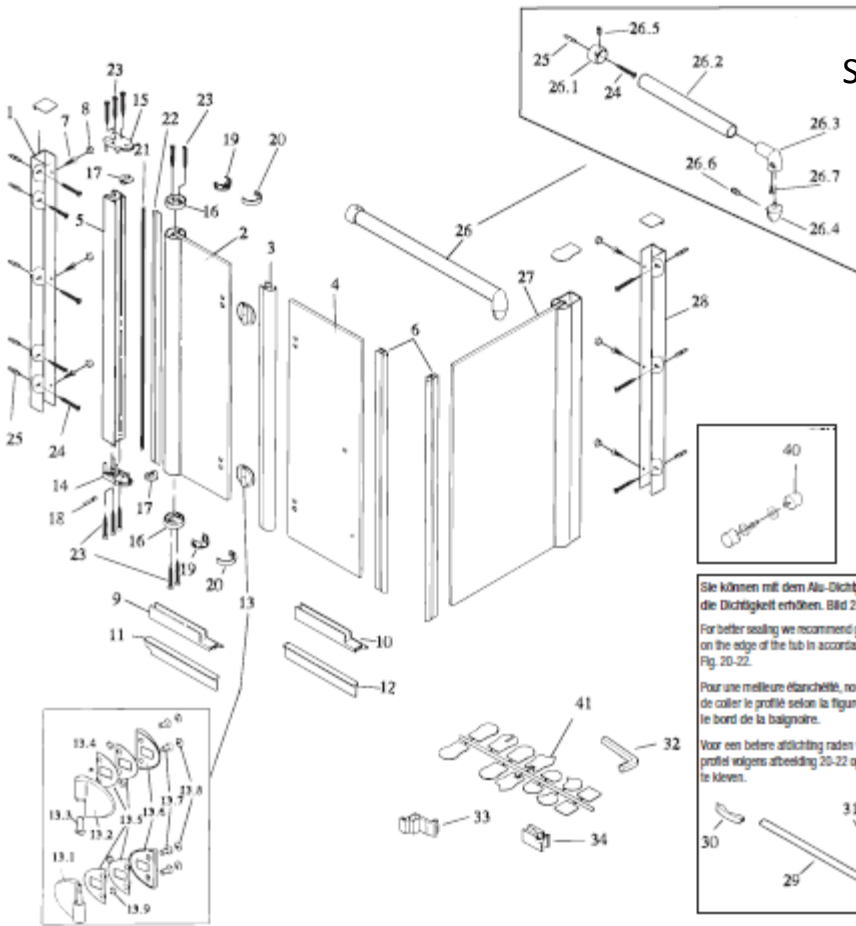


Exklusiv – Pivoting Bi-Fold Door & S/P



Spare Part Request Form – Fax Back to 01283 584994

HSK - SPARE PART - Request Form



Sie können mit dem Alu-Dichtprofil die Dichtigkeit erhöhen. Bild 20-22
 For better sealing we recommend gluing profile on the edge of the tub in accordance with Fig. 20-22.
 Pour une meilleure étanchéité, nous conseillons de coller le profilé selon la figure 20-22 sur le bord de la baignoire.
 Voor een betere afslchting raden wij aan, het profiel volgens afbeelding 20-22 op de kulpwand te kleven.

- | | | | | | |
|------|---|------|---|------|---|
| Pos. | 1 x wall connection profile long | 13.6 | 4 x inner back plate of the hinge | 26.1 | 1 x wall connection |
| 2 | 1 x door outside | 13.7 | 8 x countersunk head screw M6 x 14 mm | 26.2 | 1 x connecting tube |
| 3 | 1 x sealing profile vertical | 13.8 | 8 x cap for countersunk head screw M6 x 14 mm | 26.3 | 1 x Egg outside above |
| 4 | 1 x door | 13.9 | 8 x rubber bush | 26.4 | 1 x Egg outside down |
| 5 | 1 x SP-profile | 14 | 1 x lower part of pivot bearing left | 26.5 | 1 x stud M4 |
| 6 | 2 x magnet 45° | 15 | 1 x lower part of pivot bearing right | 26.6 | 1 x stud M10 |
| 7 | 6 x countersunk head screw 3,5 x 9,5 mm | 16 | 2 x upper part of pivot bearing | 26.7 | 1 x screw |
| 8 | 6 x cap for countersunk head screw | 17 | 2 x rising butt mechanism | 27 | 1 x side panel |
| 9 | 1 x aluminum sealing profile 1x right / 1x left | 18 | 1 x Twist stop | 28 | 1 x wall connection profile briefly |
| 10 | 1 x aluminum sealing profile 1x right / 1x left | 19 | 2 x inside cover | 29 | 1 x aluminum sealing profile |
| 11 | 1 x pull-in sealing | 20 | 2 x outside cover | 30 | 1 x end cap for aluminum sealing profile 1x right / 1x left |
| 12 | 1 x pull-in sealing | 21 | 1 x inner sealing | 31 | 1 x end cap for aluminum sealing profile 90° 1x right / 1x left |
| 13 | 2 x complete hinge: | 22 | 1 x sealing outwards | 32 | 1 x hexagonal wrench |
| 13.1 | 2 x part of the hinge for fixed panel | 23 | 10 x countersunk head screw 3,5 x 25 mm | 33 | 1 x assembly aid 1 |
| 13.2 | 2 x part of the hinge for the door | 24 | 9 x countersunk head screw 4,2 x 45 mm | 34 | 4 x assembly aid 2 |
| 13.3 | 2 x bearing bush | 25 | 9 x wall plug S6 | 40 | 1 x handle complete |
| 13.4 | 2 x fixing screw | 26 | 1 x side support complete | 41 | 1 x shield range |
| 13.5 | 8 x sealing | | | | |

Ref No. -	Date -
-----------	--------

CUSTOMER DETAILS

Customer		Retailer	
Name		Name	
Address		Address	
Post Code		Post Code	
Contact No.		Contact No.	

PRODUCT DETAILS

Product		Product No.	
Part No's			
Req'd			
Inst. Instr. No.			

OFFICE INFORMATION ONLY

Chargeable?	Inv. No.
Sent Via	Sent Date
HSK Conf. No.	Conf. Date
UK Stock Qty	Order Ref