

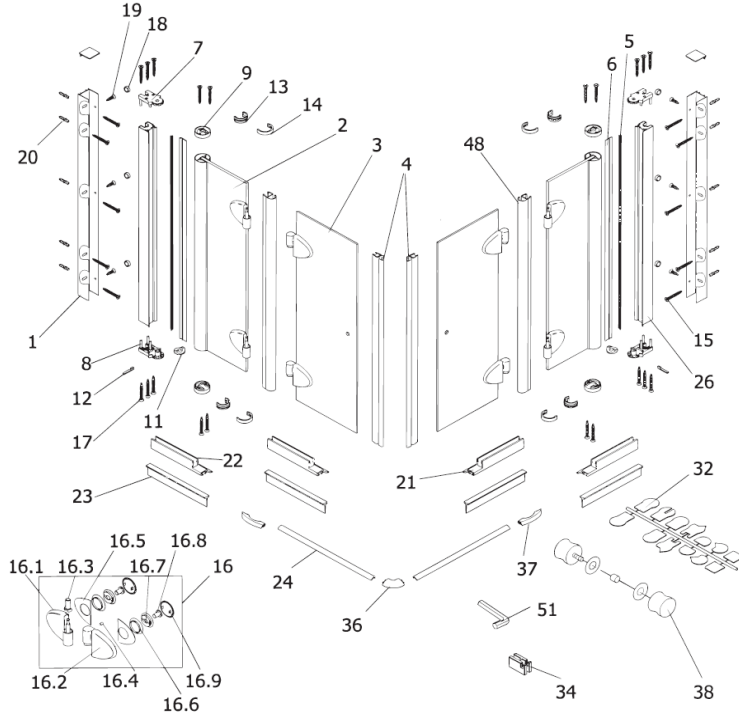
Exklusiv Corner Entry 2 Pivoting Doors

Spare Part Request Form – Fax Back to 01283 584994

6200/D87241



1116-1 **Produktübersicht/Ersatzteilbestellung**
Product overview/Ordering spare parts
Vue d'ensemble du produit/Achat de pièces détachées
Productoverzicht/Bestelling van reserveonderdelen



- | | | | |
|------|---|------|--|
| Pos. | | | |
| 1 | 2 x compensating profile | 16.7 | 8 x inlay |
| 2 | 2 x side panel | 16.8 | 8 x fixing screw M8 |
| 3 | 2 x door | 16.9 | 8 x cap |
| 4 | 2 x magnetic strip 45° | 17 | 20 x countersunk head screw 3,5 x 25 mm |
| 5 | 2 x inner sealing | 18 | 6 x screw cover |
| 6 | 2 x sealing outwards | 19 | 6 x countersunk head screw 3,5 x 9,5 mm |
| 7 | 2 x lower part of pivot bearing right | 20 | 10 x wall plug S6 |
| 8 | 2 x lower part of pivot bearing left | 21 | 2 x water-repellent profile 1 x left / 1 x right |
| 9 | 4 x lower part of pivot bearing | 22 | 2 x water-repellent profile 1 x left / 1 x right |
| 11 | 4 x curve part | 23 | 4 x pull-in sealing |
| 12 | 2 x twist stop | 24 | 2 x aluminum sealing profile |
| 13 | 4 x cover inside | 26 | 2 x side profile |
| 14 | 4 x cover outside | 32 | 1 x shield range |
| 15 | 10 x countersunk head screw 4,2 x 32 mm | 34 | 4 x assembly aid |
| 16 | 4 x complete hinge | 36 | 1 x cover cap middle |
| 16.1 | 4 x part of the hinge for fixed panel | 37 | 2 x cap for water-repellent profile |
| 16.2 | 4 x part of the hinge for the door | 38 | 2 x handle complete |
| 16.3 | 4 x bearing bush | 48 | 2 x sealing profile vertical |
| 16.4 | 4 x fixing screw M3 x 3 mm | 51 | 1 x hexagonal wrench SW4 |
| 16.5 | 8 x sealing | | |
| 16.6 | 8 x disk protection | | |

HSK - SPARE PART - Request Form

Ref No. -	Date -
-----------	--------

CUSTOMER DETAILS

Customer		Retailer	
Name		Name	
Address		Address	
Post Code		Post Code	
Contact No.		Contact No.	

PRODUCT DETAILS

Product		Product No.	
Part No's Req'd			
Inst. Instr. No.			

OFFICE INFORMATION ONLY

Chargeable?		Inv. No.	
Sent Via		Sent Date	
HSK Conf. No.		Conf. Date	
UK Stock Qty		Order Ref	