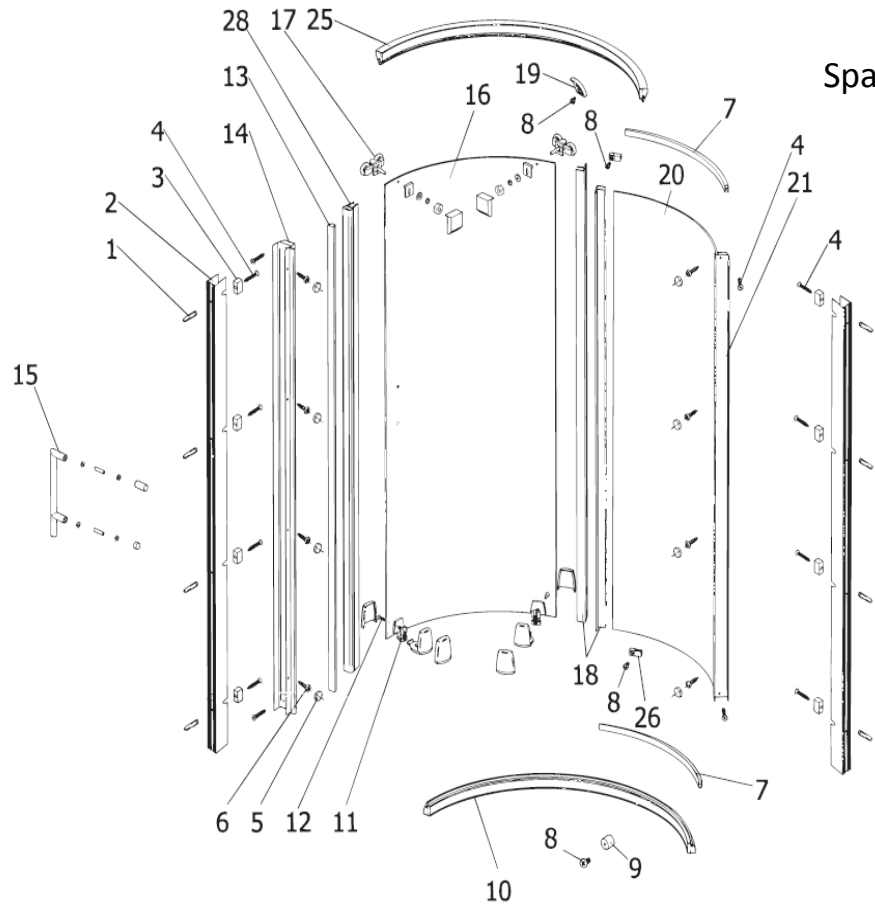


Imperial – Quadrant, 1 door



Spare Part Request Form – Fax Back to 01283 584994

HSK - SPARE PART - Request Form



- Pos.
- | | |
|--|---|
| <ul style="list-style-type: none"> 1 8 x wall plug 2 2 x wall connection profile 3 8 x underlay 4 12 x countersunk head screw 3,5 x 35 mm 5 8 x cap 6 8 x countersunk head screw 3,5 x 9,5 mm 7 2 x sealing for rounded panel 8 4 x round-head screws 3,5 x 15 mm 9 1 x contacts down 10 1 x lower frame profiles 11 2 x slider 12 2 x flat-headed screw 3,5 x 9,5 mm 13 1 x magnet | <ul style="list-style-type: none"> 14 1 x magnet retaining profile 15 1 x handle complete 16 1 x door 17 2 x complete roll 18 2 x sealing 19 1 x contacts above 20 1 x side panel 21 1 x side panel profile 25 1 x upper frame profile 26 2 x bottom guide 28 1 x magnet |
|--|---|

Ref No. -	Date -
-----------	--------

CUSTOMER DETAILS

Customer		Retailer	
Name		Name	
Address		Address	
Post Code		Post Code	
Contact No.		Contact No.	

PRODUCT DETAILS

Product	Product No.
Part No's	
Req'd	
Inst. Instr. No.	

OFFICE INFORMATION ONLY

Chargeable?	Inv. No.
Sent Via	Sent Date
HSK Conf. No.	Conf. Date
UK Stock Qty	Order Ref