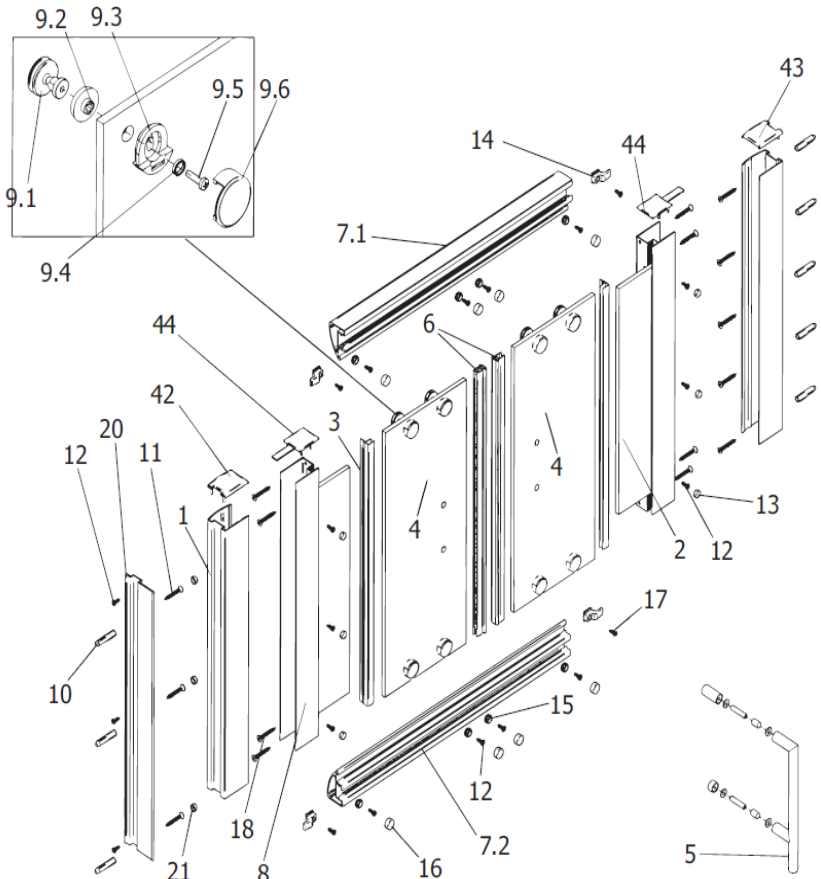


Imperial – Slider, 2 door



Spare Part Request Form – Fax Back to 01283 584994

HSK - SPARE PART - Request Form



- | | |
|--|---|
| <p>Pos.</p> <ul style="list-style-type: none"> 1 2 x wall connection profile 2 2 x side panel left/right 3 2 x sealing profile vertical 4 2 x door left/right 5 2 x handle complete 6 2 x magnetic strip 7.1 1 x frame profile 7.2 1 x lower frame profile 8 2 x side panel profile 9.1 8 x castors 9.2 8 x cone 9.3 8 x cap down 9.4 8 x lock washer 9.5 8 x countersunk head screw M4 x 16 mm 9.6 8 x cap | <ul style="list-style-type: none"> 10 8 x dowel S6 11 8 x countersunk-head screw 4,2 x 32 mm 12 17 x countersunk-head screw 3,5 x 9,5 mm 13 6 x cap 14 4 x hook 15 8 x contact cap 16 8 x cap 17 4 x countersunk head screw 2,9 x 9,5 mm 18 8 x screw 3,5 x 45 mm 20 1 x wall connection recess 21 3 x cap für 4,2 x 32 mm 42 1 x cap left 43 1 x cap right 44 2 x pull-in cover button |
|--|---|

Ref No. -	Date -
-----------	--------

CUSTOMER DETAILS

Customer		Retailer	
Name		Name	
Address		Address	
Post Code		Post Code	
Contact No.		Contact No.	

PRODUCT DETAILS

Product	Product No.
Part No's Req'd	
Inst. Instr. No.	

OFFICE INFORMATION ONLY

Chargeable?	Inv. No.
Sent Via	Sent Date
HSK Conf. No.	Conf. Date
UK Stock Qty	Order Ref