

Style – Saloon Door



Spare Part Request Form – Fax Back to 01283 584994

HSK - SPARE PART - Request Form

Ref No. -	Date -
-----------	--------

CUSTOMER DETAILS

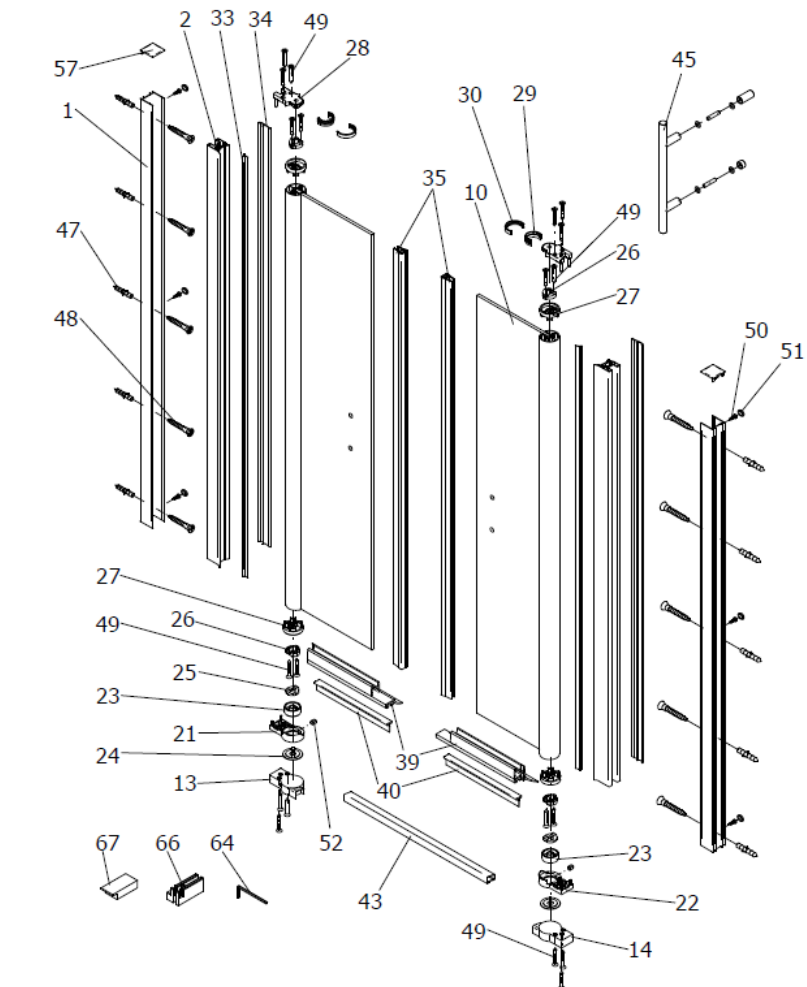
Customer		Retailer	
Name		Name	
Address		Address	
Post Code		Post Code	
Contact No.		Contact No.	

PRODUCT DETAILS

Product	Product No.
Part No's Req'd	
Inst. Instr. No.	

OFFICE INFORMATION ONLY

Chargeable?	Inv. No.
Sent Via	Sent Date
HSK Conf. No.	Conf. Date
UK Stock Qty	Order Ref



- Pos.
- | | |
|---|--|
| <ul style="list-style-type: none"> 1 2 x wall connection profile 2 2 x side panel with profile 10 2 x door 13 1 x support for drip strip left 14 1 x support for drip strip right 21 1 x pivot bearing left 22 1 x pivot bearing right 23 2 x support for bend 24 2 x attachment 25 2 x bend 26 4 x curve part top 27 4 x pivot bearing-cover top Ø 36 28 2 x lower part of pivot bearing 29 2 x inside cover 30 2 x outside cover 33 2 x inner sealing 34 2 x sealing outwards 35 2 x door sealing profile with magnet | <ul style="list-style-type: none"> 39 2 x water-repellent profile 40 2 x pull-in sealing 43 1 x aluminum sealing profile 45 2 x door handle 47* 10 x dowel Tri 6/36 48* 10 x raised countersunk tapping screw 4,2 x 45 mm 49* 20 x raised countersunk tapping screw 3,5 x 25 mm 50* 6 x tapping screw 3,5 x 9,5 mm 51* 6 x cap 52* 2 x stud M5 x 6 mm 57 2 x top cap 64* 1 x hexagonal wrench SW 2,5 66* 2 x assembly aid 67* 2 x assembly aid |
|---|--|