

# Style – Pivot Door & Side Panel



Spare Part Request Form – Fax Back to 01283 584994

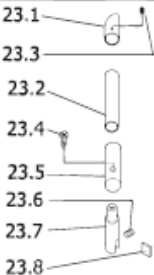
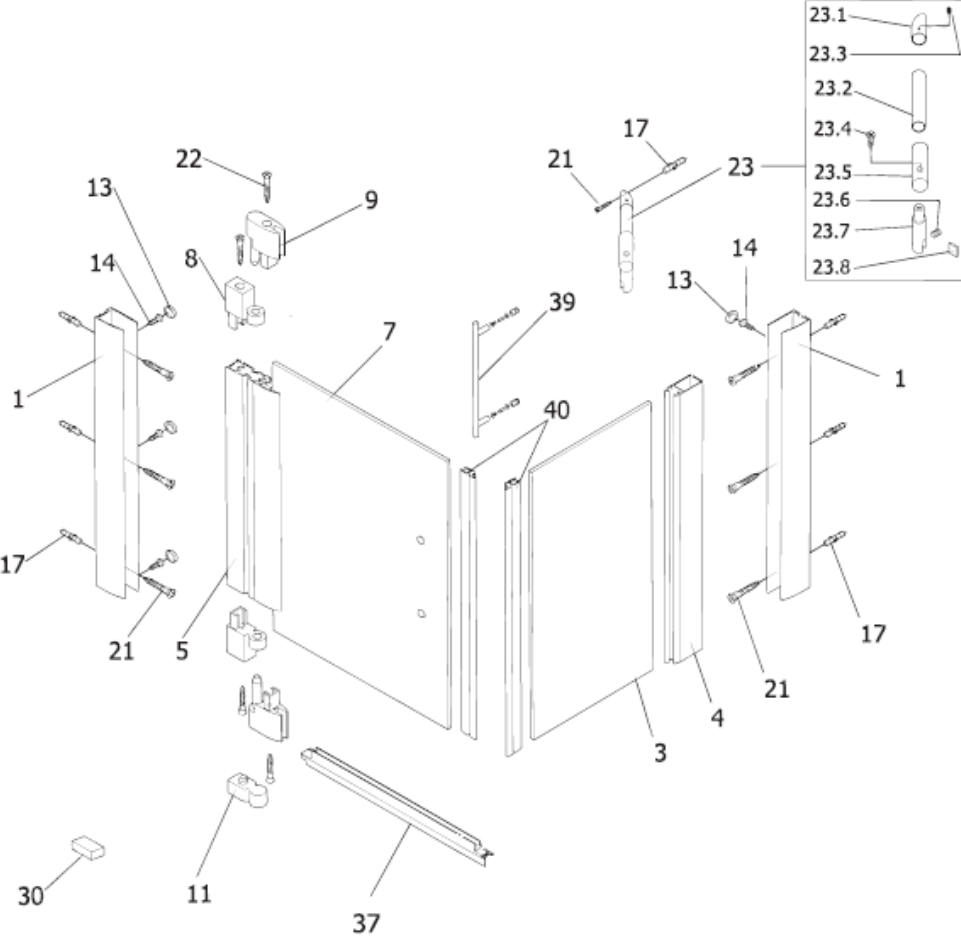
- |      |    |   |      |                             |
|------|----|---|------|-----------------------------|
| Pos. | 1  | 1 x wall connection profile             | 23   | 1 x side support complete   |
|      | 3  | 1 x side panel                          | 23.1 | 1 x wall connection         |
|      | 4  | 1 x side profile                        | 23.2 | 1 x pipe                    |
|      | 5  | 1 x hinge profile                       | 23.3 | 1 x stud M4 x 4 mm          |
|      | 7  | 1 x door                                | 23.5 | 1 x top part                |
|      | 8  | 2 x pivot bearing                       | 23.6 | 1 x plastic stud            |
|      | 9  | 2 x pivot bearing                       | 23.7 | 1 x glass side support      |
|      | 11 | 1 x underlay                            | 23.8 | 1 x felt packing            |
|      | 13 | 6 x screw cap                           | 30   | 2 x assembly aid            |
|      | 14 | 6 x countersunk head screw 3,5 x 9,5 mm | 37   | 1 x water-repellent profile |
|      | 17 | 6 x dowel S6                            | 39   | 1 x handle complete         |
|      | 21 | 6 x countersunk head screw 4,2 x 32 mm  | 40   | 2 x magnet                  |
|      | 22 | 4 x countersunk head screw 3,5 x 45 mm  |      |                             |

## HSK - SPARE PART - Request Form

Ref No. -	Date -
-----------	--------

### CUSTOMER DETAILS

Customer		Retailer	
Name		Name	
Address		Address	
Post Code		Post Code	
Contact No.		Contact No.	



### PRODUCT DETAILS

Product		Product No.	
Part No's			
Req'd			
Inst. Instr. No.			

### OFFICE INFORMATION ONLY

Chargeable?	Inv. No.
Sent Via	Sent Date
HSK Conf. No.	Conf. Date
UK Stock Qty	Order Ref