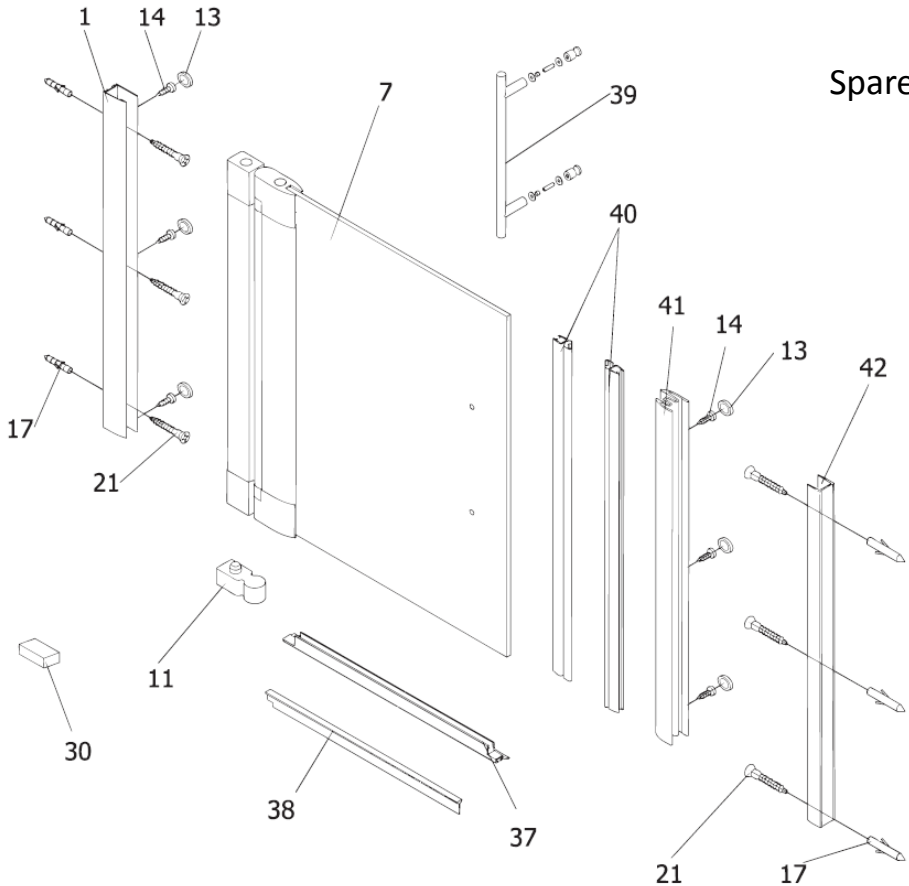


Style – Pivot Door



Spare Part Request Form – Fax Back to 01283 584994

HSK - SPARE PART - Request Form



Pos.					
1	1 x compensating profiles	8120	37	1 x sealing profile	9988
7	1 x door		38	1 x pull-in sealing	9991
11	1 x underlay	8189	39	1 x handle complete	99226
13	6 x screw cover	0112	40	2 x magnet	9207/9242
14	6 x countersunk head screw 3,5 x 9,5 mm	DIN 7982	41	1 x magnetic strip	9223
17	6 x dowel S6		42	1 x wall connection profile	9222
21	6 x countersunk head screw 4,2 x 32 mm	DIN 7982			
30	2 x assembly aid	8151			

Ref No. -	Date -
-----------	--------

CUSTOMER DETAILS

Customer		Retailer	
Name		Name	
Address		Address	
Post Code		Post Code	
Contact No.		Contact No.	

PRODUCT DETAILS

Product	Product No.
Part No's	
Req'd	
Inst. Instr. No.	

OFFICE INFORMATION ONLY

Chargeable?	Inv. No.
Sent Via	Sent Date
HSK Conf. No.	Conf. Date
UK Stock Qty	Order Ref