

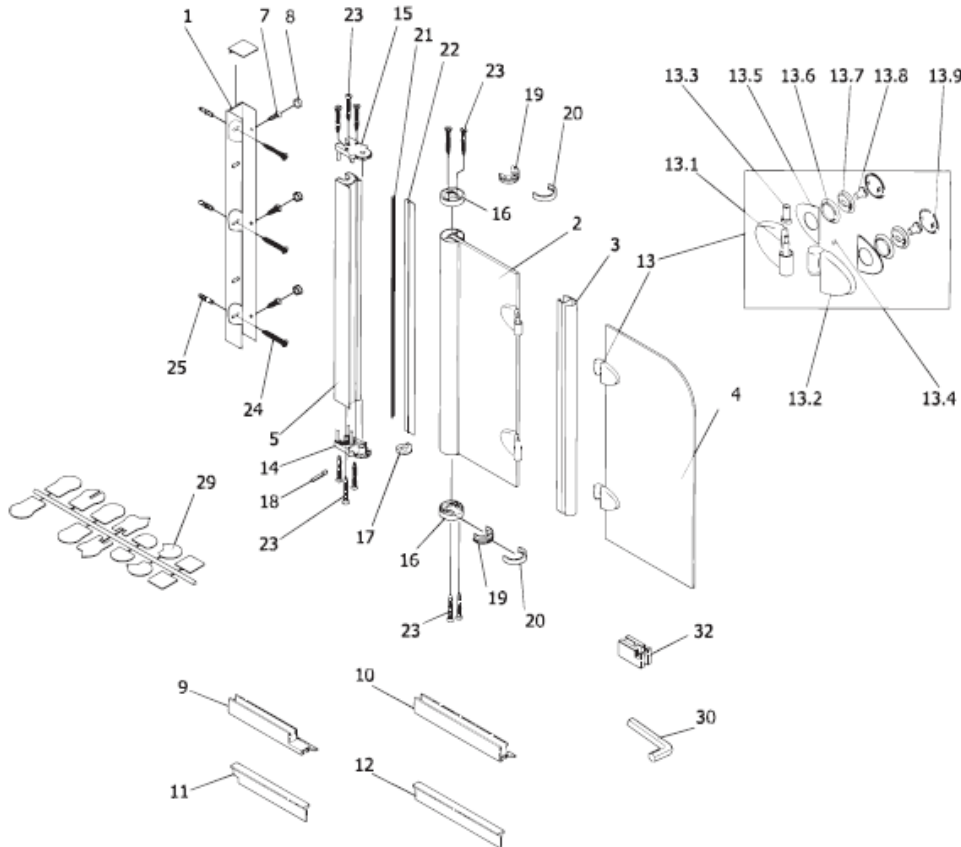
# Bath Screen – Exklusiv (2 part)



Spare Part Request Form – Fax Back to 01283 584994

## HSK - SPARE PART - Request Form

- |      |   |   |
|------|---|---|
| Pos. |   |   |
| 1    | 1 x wall connection profile                     | 13.7                                    |
| 2    | 1 x door outside                                | 13.8                                    |
| 3    | 1 x sealing profile vertical                    | 13.9                                    |
| 4    | 1 x door  | 14                                      |
| 5    | 1 x side panel profile                          | 15                                      |
| 7    | 3 x countersunk head screw 3,5 x 9,5 mm         | 16                                      |
| 8    | 3 x cap for countersunk head screw              | 17                                      |
| 9    | 1 x water-repellent profile 1 x left, 1 x right | 18                                      |
| 10   | 1 x water-repellent profile 1 x left, 1 x right | 19                                      |
| 11   | 1 x pull-in sealing                             | 20                                      |
| 12   | 1 x pull-in sealing                             | 21                                      |
| 13   | 2 x complete hinge                              | 22                                      |
| 13.1 | 2 x part of the hinge for fixed panel           | 23                                      |
| 13.2 | 2 x part of the hinge for the door              | 24                                      |
| 13.3 | 2 x bearing bush                                | 25                                      |
| 13.4 | 2 x fixing screw M3 x 3 mm                      | 29                                      |
| 13.5 | 4 x sealing                                     | 30                                      |
| 13.6 | 4 x disk protection                             | 32                                      |
|      |   | 4 x inlay                               |
|      |   | 4 x attachment screw M8                 |
|      |   | 4 x cap                                 |
|      |   | 1 x ower part of pivot bearing left     |
|      |   | 1 x lower part of pivot bearing right   |
|      |   | 2 x upper part of pivot bearing         |
|      |   | 1 x Curve part                          |
|      |   | 1 x Twist stop                          |
|      |   | 2 x inside cover                        |
|      |   | 2 x outside cover                       |
|      |   | 1 x inner sealing                       |
|      |   | 1 x sealing outwards                    |
|      |   | 10 x countersunk head screw 3,5 x 25 mm |
|      |   | 3 x countersunk head screw 4,2 x 32 mm  |
|      |   | 3 x dowel S6                            |
|      |   | 1 x shield range                        |
|      |   | 1 x hexagonal wrench SW 4               |
|      |   | 2 x assembly aid 1                      |



|           |        |
|-----------|--------|
| Ref No. - | Date - |
|-----------|--------|

### CUSTOMER DETAILS

| Customer    |  | Retailer    |  |
|-------------|--|-------------|--|
| Name        |  | Name        |  |
| Address     |  | Address     |  |
| Post Code   |  | Post Code   |  |
| Contact No. |  | Contact No. |  |

### PRODUCT DETAILS

|                  |  |             |  |
|------------------|--|-------------|--|
| Product          |  | Product No. |  |
| Part No's        |  |             |  |
| Req'd            |  |             |  |
| Inst. Instr. No. |  |             |  |

### OFFICE INFORMATION ONLY

|               |  |            |  |
|---------------|--|------------|--|
| Chargeable?   |  | Inv. No.   |  |
| Sent Via      |  | Sent Date  |  |
| HSK Conf. No. |  | Conf. Date |  |
| UK Stock Qty  |  | Order Ref  |  |