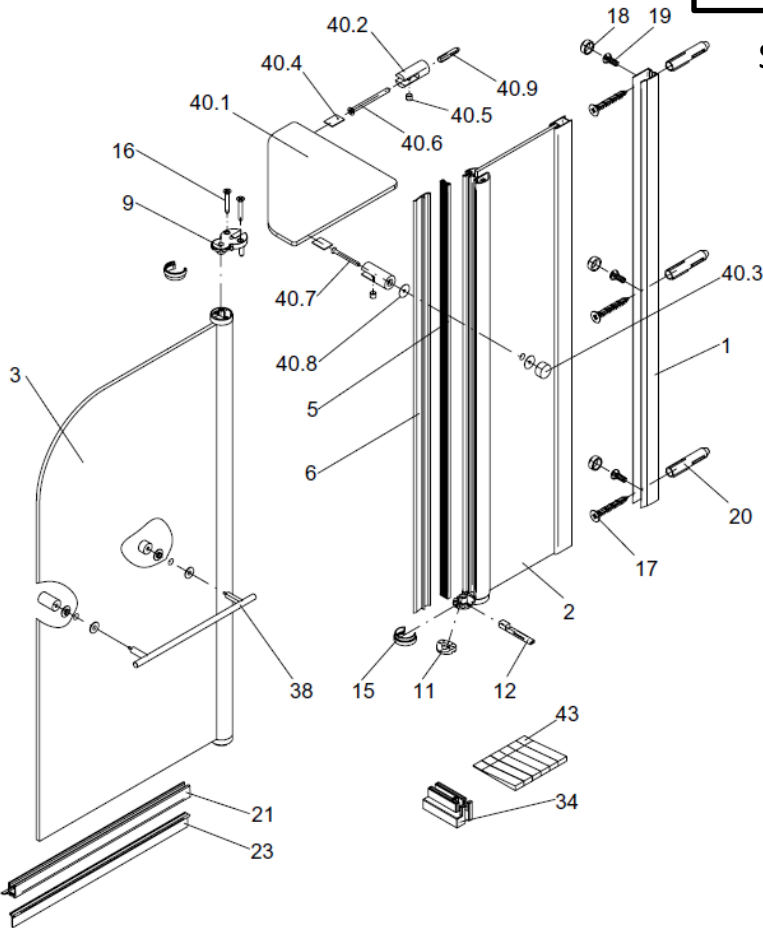


# Bath Screen – Exklusiv Plus (1 fix, 1 pivot)

Spare Part Request Form – Fax Back to 01283 584994



## HSK - SPARE PART - Request Form



- |     |   |      |                                       |
|-----|---|------|---------------------------------------|
| 1   | 1 x wall connection                       | 38   | 1 x handle complete                   |
| 2   | 1 x side panel                            | 40   | 1 x complete glass shelve             |
| 3   | 1 x door                                  | 40.1 | 1 x glass shelve                      |
| 5   | 1 x inner sealing                         | 40.2 | 2 x glass shelve support              |
| 6   | 1 x sealing outwards                      | 40.3 | 1 x round cover nut                   |
| 9   | 2 x lower part of pivot bearing           | 40.4 | 2 x silicone glass protector          |
| 11  | 1 x rising butt mechanism                 | 40.5 | 2 x stud M8 x 6mm                     |
| 12  | 1 x twist stop                            | 40.6 | 1 x countersunk head screw 3,9 x 50mm |
| 15  | 2 x pivot bearing-head cover              | 40.7 | 1 x countersunk head screw M4 x 25mm  |
| 16  | 2 x countersunk head screw 3,5 x 25 mm    | 40.8 | 2 x glass protection Ø 19 mm          |
| 17* | 3 x countersunk head screw 4,2 x 45 mm    | 40.9 | 1 x dowel S6                          |
| 18* | 3 x screw cover                           | 43   | 1 x underlay                          |
| 19* | 3 x countersunk head screw 3,5 x 9,5 mm   |      |                                       |
| 20* | 3 x dowel S6                              |      |                                       |
| 21  | 1 x water-repellent profile inkl. Pos. 23 |      |                                       |
| 23  | 1 x pull-in sealing                       |      |                                       |
| 34  | 2 x assembly aid                          |      |                                       |

Ref No. -	Date -
-----------	--------

### CUSTOMER DETAILS

Customer		Retailer	
Name		Name	
Address		Address	
Post Code		Post Code	
Contact No.		Contact No.	

### PRODUCT DETAILS

Product		Product No.	
Part No's			
Req'd			
Inst. Instr. No.			

### OFFICE INFORMATION ONLY

Chargeable?	Inv. No.
Sent Via	Sent Date
HSK Conf. No.	Conf. Date
UK Stock Qty	Order Ref