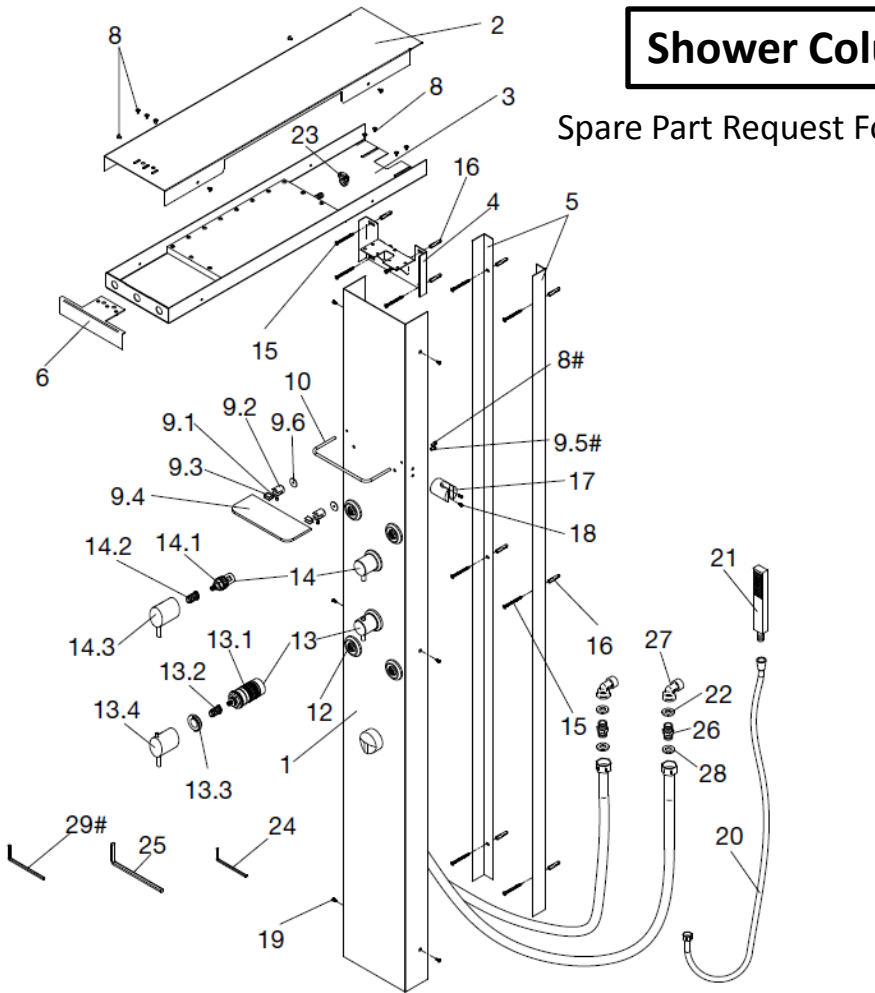


Shower Column - Lavida

Spare Part Request Form – Fax Back to 01283 584994



HSK - SPARE PART - Request Form



- | | | | |
|------------|---|------|------------------------------|
| Pos. 1 | 1 x Upright carcass | 13.2 | 1 x Carrier |
| 2 | 1 x Cross head cover | 13.3 | 1 x Scald protection |
| 3 | 1 x Cross head, shower head included | 13.4 | 1 x Thermostat-Grip |
| 4 | 1 x Cross head wall holder | 14 | 1 x Stop valve |
| 5 | 2 x Angle 25 x 15 mm | 14.1 | 1 x Carrier |
| 6 | 1 x Clamp | 14.2 | 1 x Stop valve-Grip |
| 8# | 11 x Screws M4 x 8 mm | 14.3 | 10 x Screws 4,2 x 45 mm |
| 9 | 1 x Rest | 15 | 10 x Dowel S6 |
| 9.1 | 2 x Stud M5 x 6 mm | 16 | 1 x Sprinkler holder |
| 9.2 | 2 x Rest holder | 17 | 2 x Screws M4 x 16 mm |
| 9.3 | 2 x Silicone glass protector | 18 | 6 x Screws 3,5 x 13 mm |
| 9.4 | 1 x Plate for the rest | 19 | 1 x Shower hose |
| 9.5# | 2 x Cylinder head screw M6 x 8 mm | 20 | 1 x Hand showerhead |
| 9.6 | 2 x Sealing | 21 | 2 x Sealing ring |
| 10 | 1 x Ralling | 22 | 1 x Tube bracket |
| 11 | 2 x Cylinder head screw M4 x 10 mm | 23 | 1 x Hexagonal wrench SW 2,5 |
| 12 | 4 x Massage nozzle | 24 | 1 x Hexagonal wrench SW 4 |
| 13 | 1 x Thermostat complete | 25 | 2 x double nipple 1/2" |
| 13.1 | 1 x Thermostat cartridge | 26 | 2 x 90° angle connector 1/2" |
| # Pos. 8 | 2 x M4 x 16 mm when mounting with glass front | 27 | 2 x Sealing ring |
| # Pos. 9.5 | 2 x M6 x 12 mm when mounting with glass front | 28 | 1 x Hexagonal wrench SW 3 |
| | | 29# | |

Ref No. -	Date -
-----------	--------

CUSTOMER DETAILS

Customer		Retailer	
Name		Name	
Address		Address	
Post Code		Post Code	
Contact No.		Contact No.	

PRODUCT DETAILS

Product		Product No.	
Part No's Req'd			
Inst. Instr. No.			

OFFICE INFORMATION ONLY

Chargeable?	Inv. No.
Sent Via	Sent Date
HSK Conf. No.	Conf. Date
UK Stock Qty	Order Ref