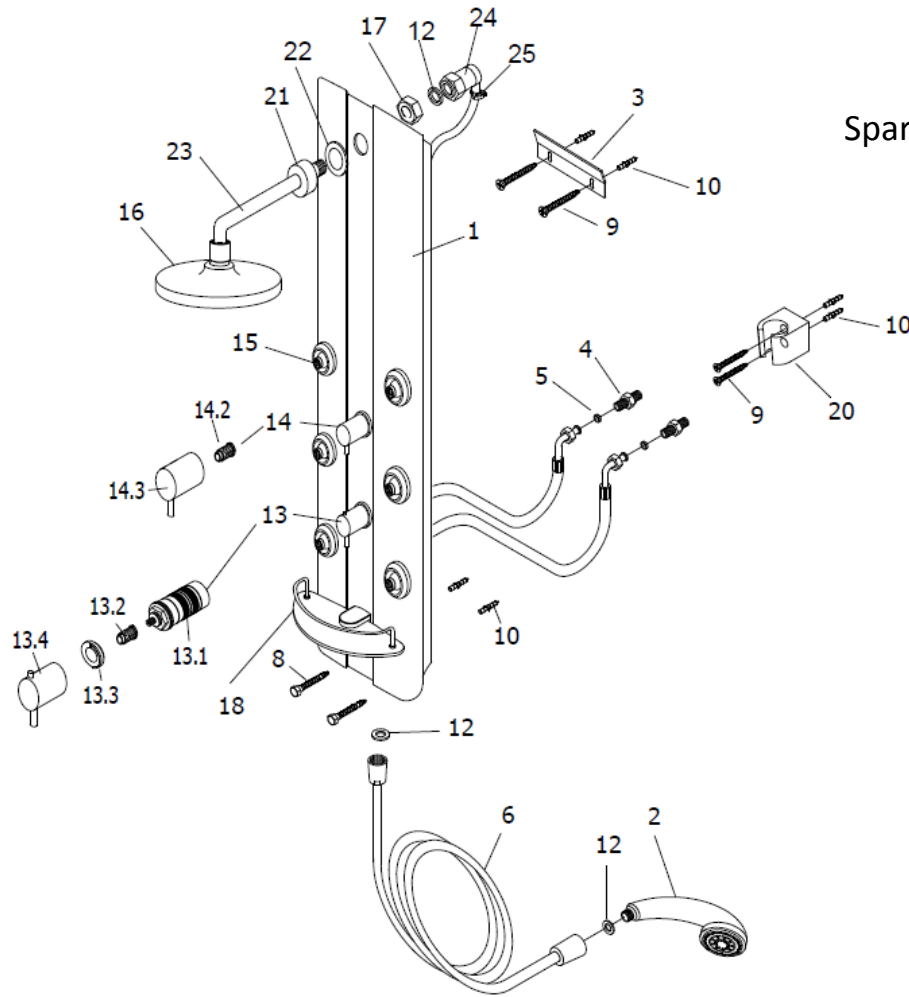


Shower Panel - Exklusiv

Spare Part Request Form – Fax Back to 01283 584994



HSK - SPARE PART - Request Form



Ref No. -	Date -
-----------	--------

CUSTOMER DETAILS

Customer		Retailer	
Name		Name	
Address		Address	
Post Code		Post Code	
Contact No.		Contact No.	

PRODUCT DETAILS

Product		Product No.	
Part No's Req'd			
Inst. Instr. No.			

OFFICE INFORMATION ONLY

Chargeable?		Inv. No.	
Sent Via		Sent Date	
HSK Conf. No.		Conf. Date	
UK Stock Qty		Order Ref	

- | | | | |
|------|---|------|-----------------------------------|
| Pos. | | | |
| 1 | 1 x Duschpaneele | 13 | 1 x Thermostat |
| 2 | 1 x Hand showerhead | 13.1 | 1 x Thermostat cartridge |
| 3 | 1 x Mounting | 13.2 | 1 x Carrier |
| 4 | 2 x Double nipple 1/2" | 13.3 | 1 x Scald protection |
| 5 | 2 x Seal (red) | 13.4 | 1 x Thermostat-Grip |
| 6 | 1 x Shower hose | 14 | 1 x Stop valve |
| 8 | 2 x Hexagonal tapping screw
4,2 x 45 mm | 14.2 | 1 x Carrier |
| 9 | 6 x Raised countersunk tapping screw
4,2 x 45 mm | 14.3 | 2 x Stop valve-grip |
| 10 | 6 x Dowel S6 | 15 | 6 x Massage nozzle |
| 12 | 2 x Sealing ring | 16 | 1 x Shower head |
| | | 17 | 1 x Bellows piece |
| | | 18 | 1 x Rest |
| | | 20 | 1 x Sprinkler holder |
| | | 21 | 1 x faceplate pipe for headshower |
| | | 22 | 1 x security ring |
| | | 23 | 1 x pipe for headshower |
| | | 24 | 1 x revolving corner piece |
| | | 25 | 1 x gripper clamp |