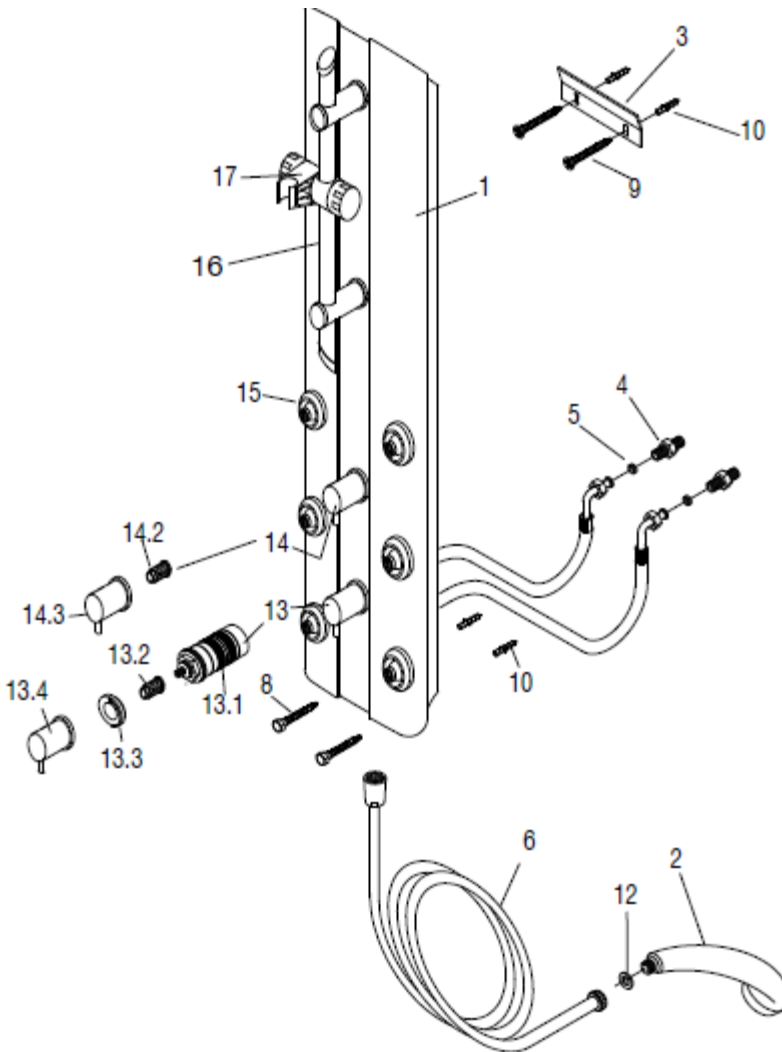


Shower Panel - Komfort

Spare Part Request Form – Fax Back to 01283 584994



HSK - SPARE PART - Request Form



Ref No. -	Date -
-----------	--------

CUSTOMER DETAILS

Customer		Retailer	
Name		Name	
Address		Address	
Post Code		Post Code	
Contact No.		Contact No.	

PRODUCT DETAILS

Product		Product No.	
Part No's			
Req'd			
Inst. Instr. No.			

- | | | | |
|------|--|------|-----------------------|
| Pos. | | | |
| 1 | 1 x Duschpaneelle | 13.2 | 1 x Carrier |
| 2 | 1 x Hand showerhead | 13.3 | 1 x Scald protection |
| 3 | 1 x Mounting | 13.4 | 1 x Thermostat-Grip |
| 4 | 2 x Double nipple 1/2" | 14 | 1 x stop valve |
| 5 | 2 x Seal (red) | 14.1 | 2 x Upper part |
| 6 | 1 x Shower hose | 14.2 | 2 x Carrier |
| 8 | 2 x Hexagonal tapping screw 4,2 x 45 mm | 14.3 | 2 x Handle stop valve |
| 9 | 4 x Raised countersunk tapping screw 4,2 x 45 mm | 15 | 6 x Massage nozzle |
| 10 | 4 x Dowel S6 | 16 | 1 x Wall rod |
| 12 | 1 x Sealing ring | 17 | 1 x Slider |
| 13 | 1 x Thermostat | | |
| 13.1 | 1 x Thermostat cartridge | | |

OFFICE INFORMATION ONLY

Chargeable?	Inv. No.
Sent Via	Sent Date
HSK Conf. No.	Conf. Date
UK Stock Qty	Order Ref