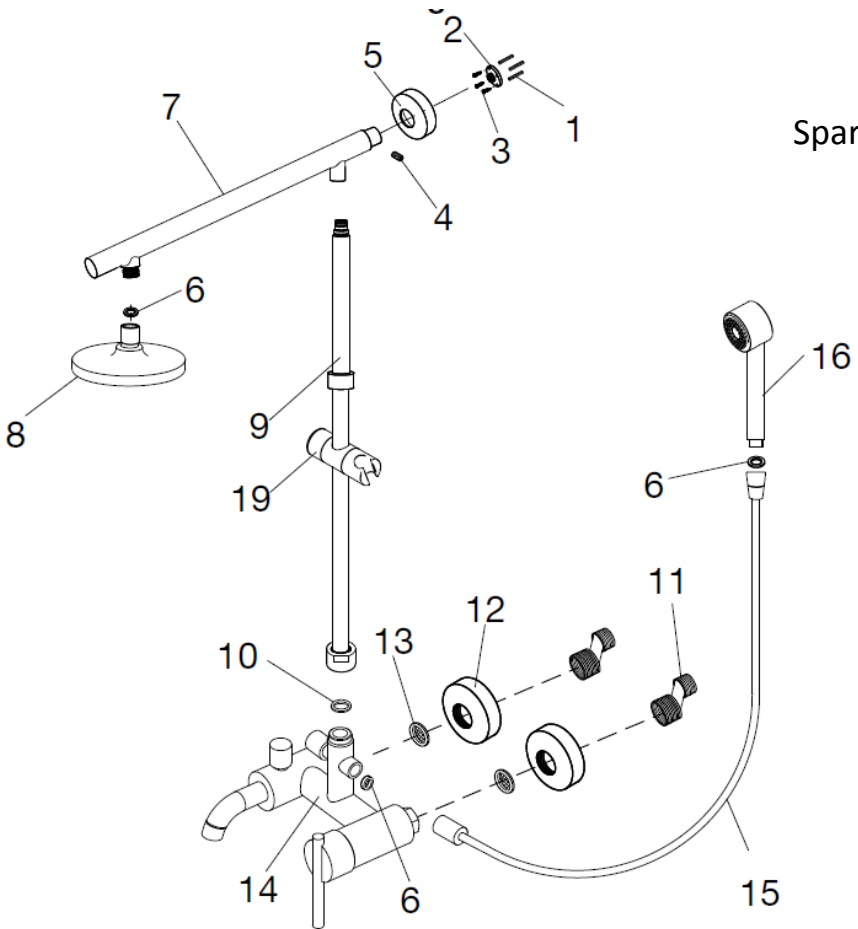


Shower Set & Bath Filler

Spare Part Request Form – Fax Back to 01283 584994



- Pos.
- 1 4 x dowel
 - 2 1 x disc threads outside
 - 3 4 x countersunk head screw
 - 4 1 x stud
 - 5 1 x cover
 - 6 3 x sealing 1/2"
 - 7 1 x pipe high
 - 8 1 x shower head
 - 9 1 x pipe long
 - 10 1 x sealing largely
 - 11 2 x S-piece
 - 12 2 x cover
 - 13 2 x sealing
 - 14 1 x manifold
 - 15 1 x Shower hose
 - 16 1 x handshower
 - 19 1 x slider with handshower holder

HSK - SPARE PART - Request Form

Ref No. -	Date -
-----------	--------

CUSTOMER DETAILS

Customer		Retailer	
Name		Name	
Address		Address	
Post Code		Post Code	
Contact No.		Contact No.	

PRODUCT DETAILS

Product	Product No.
Part No's Req'd	
Inst. Instr. No.	

OFFICE INFORMATION ONLY

Chargeable?	Inv. No.
Sent Via	Sent Date
HSK Conf. No.	Conf. Date
UK Stock Qty	Order Ref