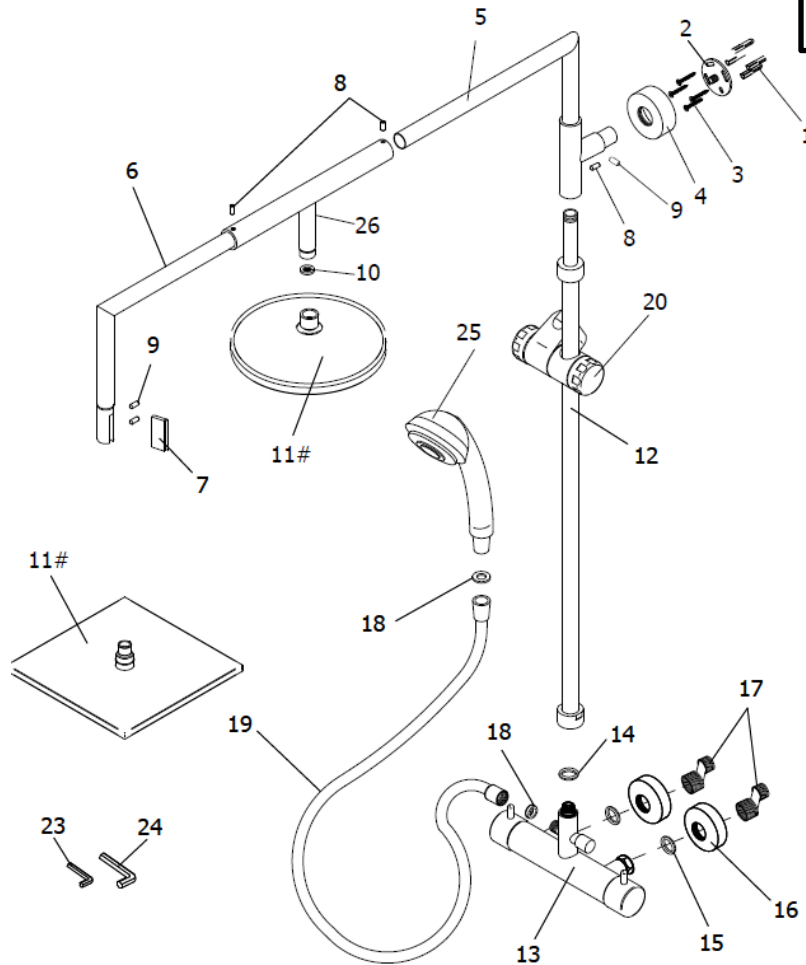


# Walk-In Free Thermostatic Shower Set

Spare Part Request Form – Fax Back to 01283 584994



## HSK - SPARE PART - Request Form



Ref No. -	Date -
-----------	--------

### CUSTOMER DETAILS

Customer		Retailer	
Name		Name	
Address		Address	
Post Code		Post Code	
Contact No.		Contact No.	

### PRODUCT DETAILS

Product		Product No.	
Part No's Req'd			
Inst. Instr. No.			

### OFFICE INFORMATION ONLY

Chargeable?		Inv. No.	
Sent Via		Sent Date	
HSK Conf. No.		Conf. Date	
UK Stock Qty		Order Ref	

Pos.

- |     |                                                |    |                                   |
|-----|------------------------------------------------|----|-----------------------------------|
| 1   | 4 x dowel S6                                   | 14 | 1 x sealing largely               |
| 2   | 1 x turnable tube for prop up                  | 15 | 2 x sealing with sieve largely    |
| 3   | 4 x countersunk head screw 4,2 x 32 mm         | 16 | 2 x cover thermostat              |
| 4   | 1 x cover turnable tube for prop up above      | 17 | 2 x connections                   |
| 5   | 1 x bended pipe with turnable tube for prop up | 18 | 2 x sealing                       |
| 6   | 1 x bended pipe glass leap                     | 19 | 1 x Shower hose                   |
| 7   | 2 x sealing 6/8 mm                             | 20 | 1 x slider with handshower holder |
| 8   | 3 x stud M 5                                   | 23 | 1 x hexagonal wrench SW 2,5       |
| 9   | 3 x stud M6                                    | 24 | 1 x hexagonal wrench SW 3         |
| 10  | 1 x sealing with sieve small                   | 25 | 1 x handshower                    |
| 11* | 1 x showerhead round/sqare                     | 26 | 1 x T-piece                       |
| 12  | 1 x pipe long                                  |    |                                   |
| 13  | 1 x thermostat                                 |    |                                   |

\* optional