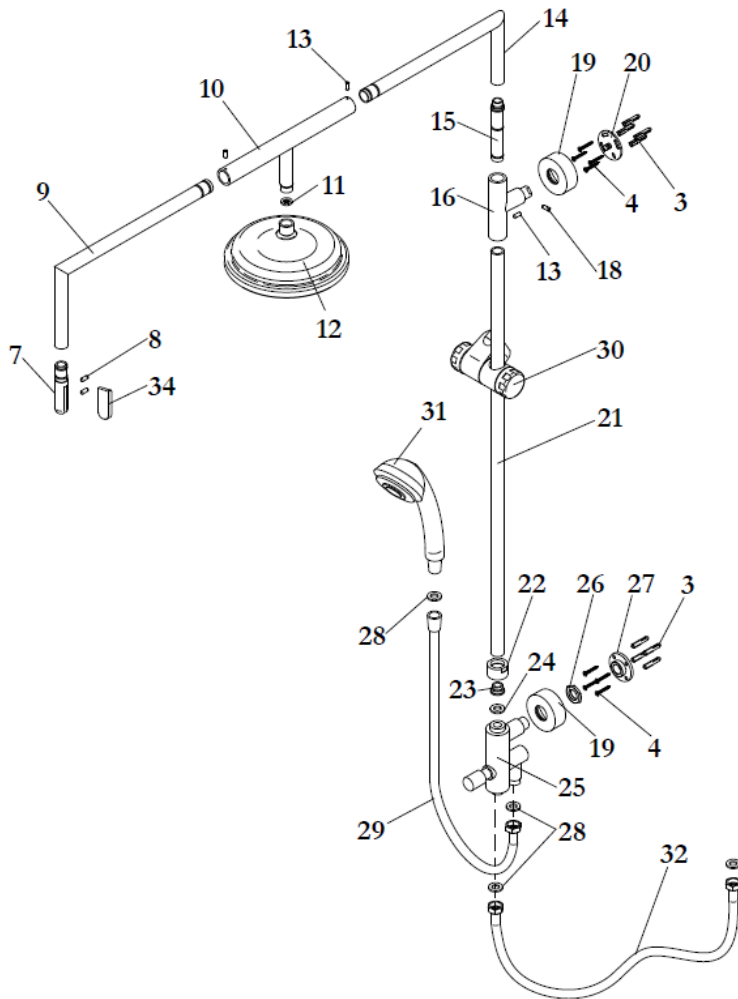


Walk-In Free Universal Shower Set

Spare Part Request Form – Fax Back to 01283 584994



HSK - SPARE PART - Request Form



Pos.

- 3 8 x dowel
- 4 8 x countersunk head screw 4,2 x 45 mm
- 7 1 x glass leap
- 8 2 x stud
- 9 1 x bended pipe without thread
- 10 1 x T-piece
- 11 1 x sealing with sieve
- 12 1 x showerhead
- 13 3 x stud
- 14 1 x bended pipe with thread
- 15 1 x brass inset
- 16 1 x small T-piece
- 18 1 x stud
- 19 2 x cover

- 20 1 x brass disc
- 21 1 x pipe long
- 22 1 x nut
- 23 1 x wide screw
- 24 1 x sealing large
- 25 1 x Manifold
- 26 1 x flat nut
- 27 1 x disc
- 28 4 x sealing
- 29 1 x shower hose
- 30 1 x slider with handshower holder
- 31 1 x handshower
- 32 1 x shower hose
- 34 1 x sealing

Ref No. -	Date -
-----------	--------

CUSTOMER DETAILS

Customer		Retailer	
Name		Name	
Address		Address	
Post Code		Post Code	
Contact No.		Contact No.	

PRODUCT DETAILS

Product	Product No.
Part No's Req'd	
Inst. Instr. No.	

OFFICE INFORMATION ONLY

Chargeable?	Inv. No.
Sent Via	Sent Date
HSK Conf. No.	Conf. Date
UK Stock Qty	Order Ref