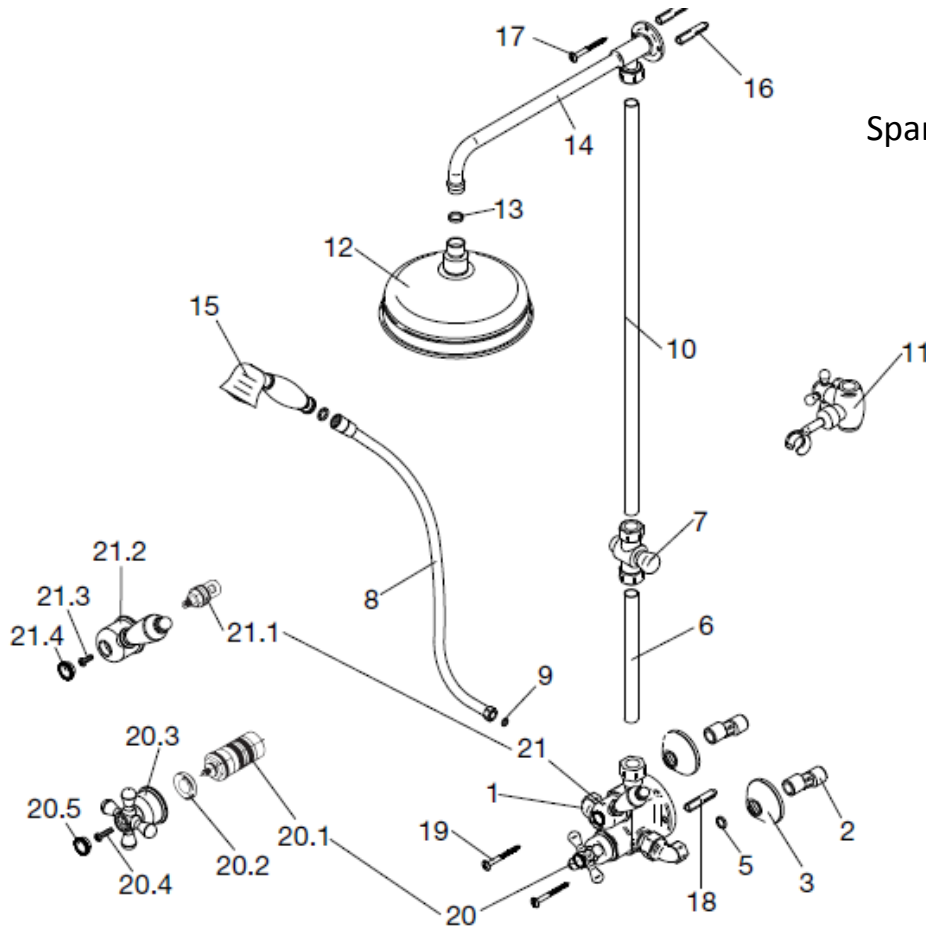


Classic Shower Set



Spare Part Request Form – Fax Back to 01283 584994

HSK - SPARE PART - Request Form



| | |
|-----------|--------|
| Ref No. - | Date - |
|-----------|--------|

CUSTOMER DETAILS

| Customer | | Retailer | |
|-------------|--|-------------|--|
| Name | | Name | |
| Address | | Address | |
| Post Code | | Post Code | |
| Contact No. | | Contact No. | |

PRODUCT DETAILS

| | | | |
|------------------|--|-------------|--|
| Product | | Product No. | |
| Part No's Req'd | | | |
| Inst. Instr. No. | | | |

- | | | | |
|------|------------------------|------|------------------------------|
| Pos. | | | |
| 1 | 1 x Thermostat | 17 | 3 x Countersunk 3,0 x 30 mm |
| 2 | 2 x S-piece | 18 | 2 x Dowel S8 |
| 3 | 1 x Cover thermostat | 19 | 2 x Countersunk 5,6 x 40 mm |
| 5 | 2 x Sealing | 20 | 1 x Thermostat complete |
| 6 | 1 x Pipe 20 cm | 20.1 | 1 x Thermostat cartridge |
| 7 | 1 x Manifold | 20.2 | 1 x Scald protection |
| 8 | 1 x Shower hose | 20.3 | 1 x Thermostat-Grip |
| 9 | 2 x Sealing | 20.4 | 1 x Countersunk M4 x 16 mm |
| 10 | 1 x Pipe 75 cm | 20.5 | 1 x Cover |
| 11 | 1 x Slider | 21 | 1 x Stop valve complete |
| 12 | 1 x Showerhead | 21.1 | 1 x Upper part of stop valve |
| 13 | 1 x Sealing showerhead | 21.2 | 1 x Handle stop valve |
| 14 | 1 x Pipe showerhead | 21.3 | 1 x Countersunk M4 x 10 mm |
| 15 | 1 x Hand showerhead | 21.4 | 1 x Cover stop valve |
| 16 | 3 x Dowel S6 | | |

OFFICE INFORMATION ONLY

| | |
|---------------|------------|
| Chargeable? | Inv. No. |
| Sent Via | Sent Date |
| HSK Conf. No. | Conf. Date |
| UK Stock Qty | Order Ref |