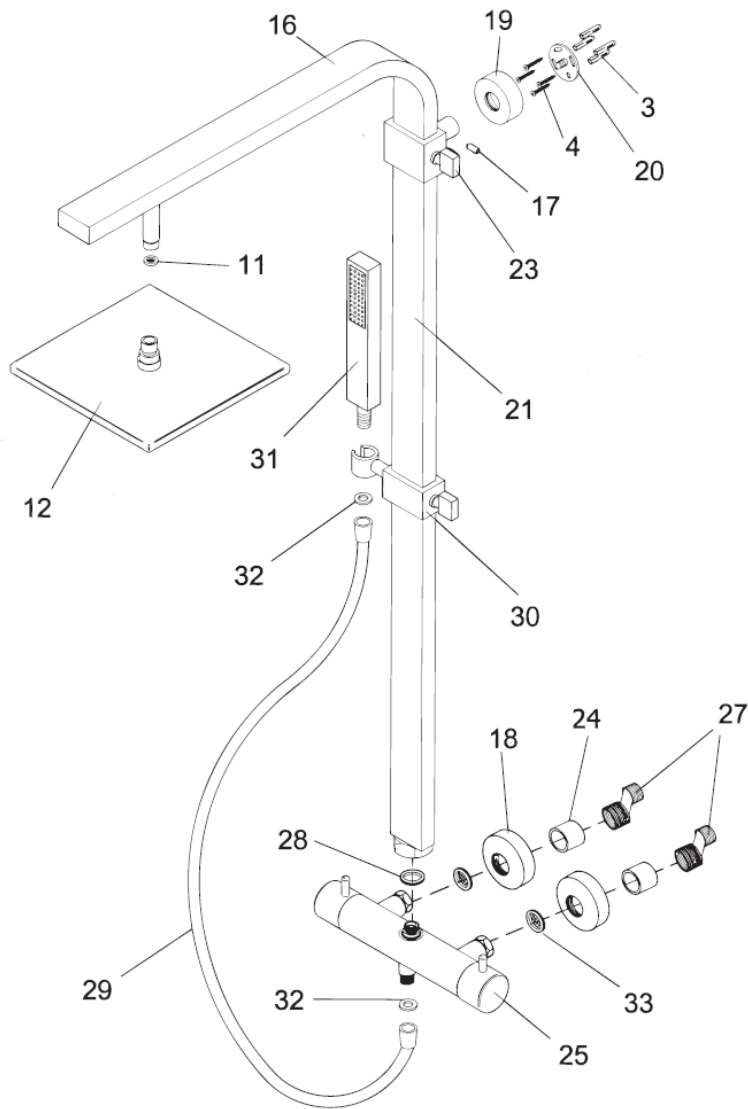


# RS 500 Thermostatic Shower Set

Spare Part Request Form – Fax Back to 01283 584994



## HSK - SPARE PART - Request Form



- |    |  |    |                        |
|----|--|----|------------------------|
| 3  | 4 x dowel ⌀6                           | 23 | 1 x fixation handle    |
| 4  | 4 x countersunk head screw 4,2 x 32 mm | 24 | 2 x cover              |
| 11 | 1 x sealing with sieve                 | 25 | 1 x manifold           |
| 12 | 1 x showerhead                         | 27 | 2 x s-piece            |
| 16 | 1 x pipe showerhead                    | 28 | 1 x sealing largely    |
| 17 | 1 x stud                               | 29 | 1 x shower hose        |
| 18 | 2 x cover manifold                     | 30 | 1 x slider             |
| 19 | 1 x cover turnable tube for prop up    | 31 | 1 x hand showerhead    |
| 20 | 1 x brass disc                         | 32 | 2 x sealing            |
| 21 | 1 x pipe manifold                      | 33 | 2 x sealing with sieve |

Ref No. -	Date -
-----------	--------

### CUSTOMER DETAILS

Customer		Retailer	
Name		Name	
Address		Address	
Post Code		Post Code	
Contact No.		Contact No.	

### PRODUCT DETAILS

Product		Product No.	
Part No's Req'd			
Inst. Instr. No.			

### OFFICE INFORMATION ONLY

Chargeable?		Inv. No.	
Sent Via		Sent Date	
HSK Conf. No.		Conf. Date	
UK Stock Qty		Order Ref	