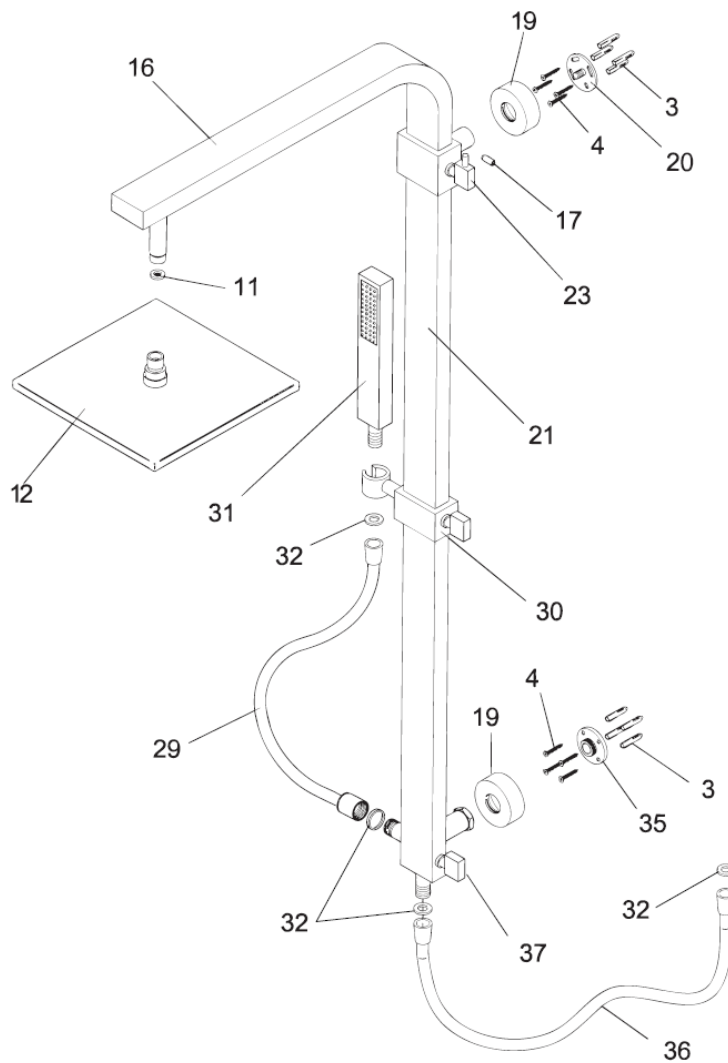


RS 500 Universal Shower Set

Spare Part Request Form – Fax Back to 01283 584994



HSK - SPARE PART - Request Form



- | | | |
|------|--|----|
| Pos. | | |
| 3 | 8 x dowel | 23 |
| 4 | 8 x countersunk head screw 4,2 x 32 mm | 29 |
| 11 | 1 x sealing with sieve | 30 |
| 12 | 1 x showerhead | 31 |
| 16 | 1 x pipe showerhead | 32 |
| 17 | 1 x stud | 35 |
| 19 | 2 x cover turnable tube for prop up | 36 |
| 20 | 1 x brass disc | 37 |
| 21 | 1 x pipe manifold | |
| | | 23 |
| | | 29 |
| | | 30 |
| | | 31 |
| | | 32 |
| | | 35 |
| | | 36 |
| | | 37 |

Ref No. -	Date -
-----------	--------

CUSTOMER DETAILS

Customer		Retailer	
Name		Name	
Address		Address	
Post Code		Post Code	
Contact No.		Contact No.	

PRODUCT DETAILS

Product		Product No.	
Part No's Req'd			
Inst. Instr. No.			

OFFICE INFORMATION ONLY

Chargeable?	Inv. No.
Sent Via	Sent Date
HSK Conf. No.	Conf. Date
UK Stock Qty	Order Ref