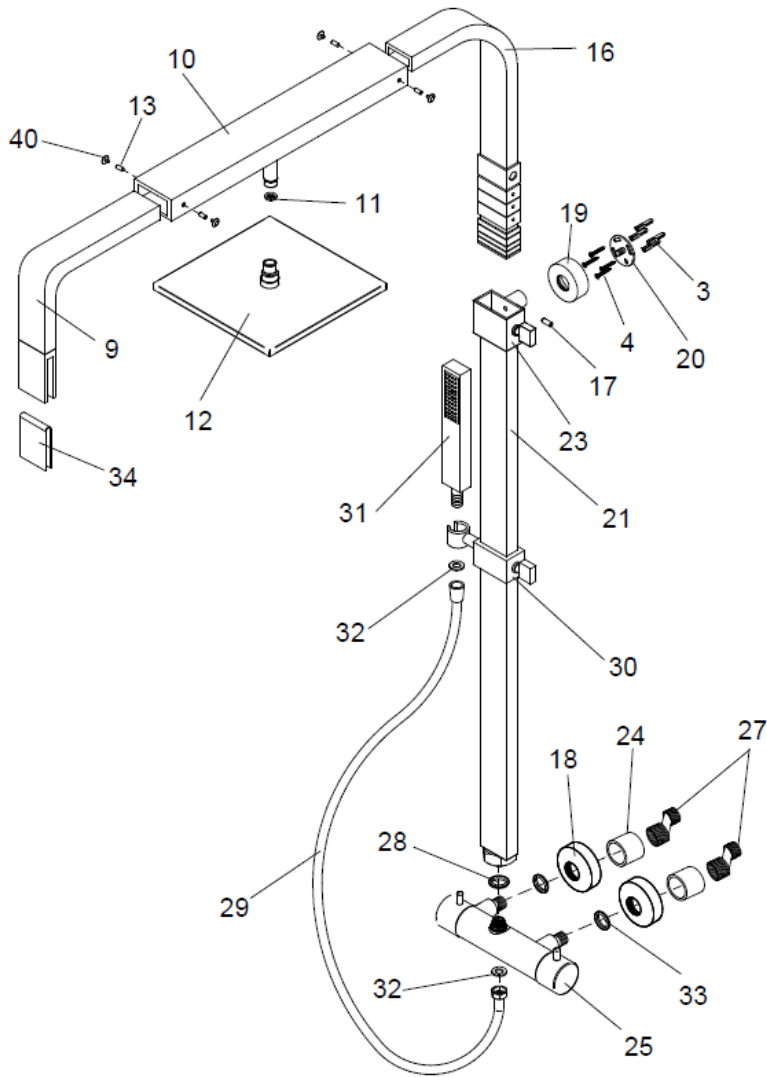


RS 500 Walk-In Thermostatic Shower Set

Spare Part Request Form – Fax Back to 01283 584994



HSK - SPARE PART - Request Form



- | | | | |
|------|--|----|--|
| Pos. | | | |
| 3 | 4 x dowel | 21 | 1 x pipe manifold |
| 4 | 4 x countersunk head screw 4,2 x 45 mm | 23 | 1 x straining piece with fixation handle |
| 9 | 1 x pipe glass leap | 24 | 2 x cover |
| 10 | 1 x pipe T-piece | 25 | 1 x manifold |
| 11 | 1 x sealing with sieve | 27 | 2 x S-piece |
| 12 | 1 x showerhead | 28 | 1 x sealing largely |
| 13 | 4 x plastic Stud | 29 | 1 x Shower hose |
| 16 | 1 x pipe high | 30 | 1 x Slider |
| 17 | 1 x stud | 31 | 1 x hand showerhead |
| 18 | 2 x cover manifold | 32 | 2 x sealing |
| 19 | 1 x cover turnable tube for prop up | 33 | 2 x sealing with sieve |
| 20 | 1 x brass disc | 34 | 1 x glass protection |
| | | 40 | 4 x cover cap |

Ref No. -	Date -
-----------	--------

CUSTOMER DETAILS

Customer		Retailer	
Name		Name	
Address		Address	
Post Code		Post Code	
Contact No.		Contact No.	

PRODUCT DETAILS

Product		Product No.	
Part No's			
Req'd			
Inst. Instr. No.			

OFFICE INFORMATION ONLY

Chargeable?	Inv. No.
Sent Via	Sent Date
HSK Conf. No.	Conf. Date
UK Stock Qty	Order Ref