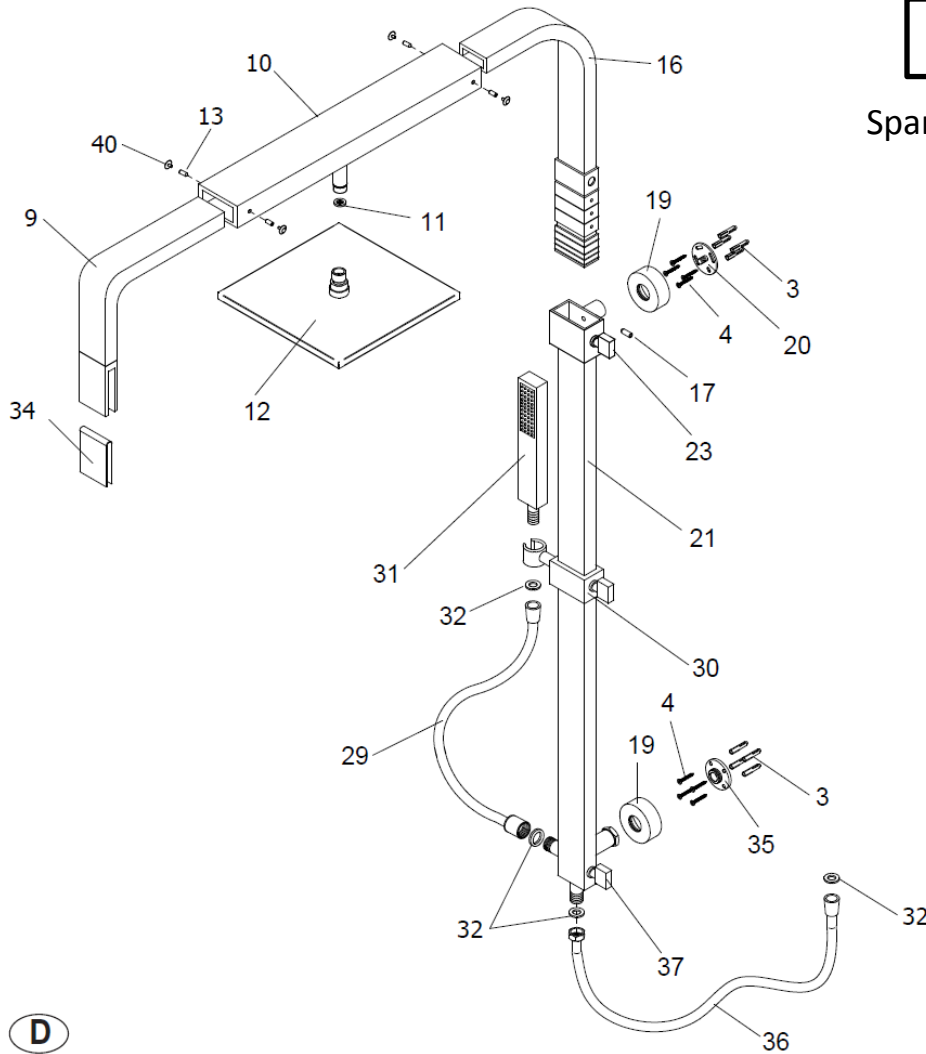


# RS 500 Walk-In Universal Shower Set

Spare Part Request Form – Fax Back to 01283 584994



## HSK - SPARE PART - Request Form



- |      |  |    |  |
|------|--|----|--|
| Pos. |  |    |  |
| 3    | 8 x dowel                              | 23 | 1 x straining piece with fixation handle |
| 4    | 8 x countersunk head screw 4,2 x 32 mm | 29 | 1 x shower hose                          |
| 9    | 1 x pipe glass leap                    | 30 | 1 x slider                               |
| 10   | 1 x pipe T-piece                       | 31 | 1 x hand showerhead                      |
| 11   | 1 x sealing with sieve                 | 32 | 4 x sealing                              |
| 12   | 1 x showerhead                         | 34 | 1 x sealing                              |
| 13   | 4 x plastic Stud                       | 35 | 1 x brass disc down                      |
| 16   | 1 x pipe showerhead                    | 36 | 1 x rubber bush                          |
| 17   | 1 x stud                               | 37 | 1 x manifold                             |
| 19   | 2 x cover turnable tube for prop up    | 40 | 4 x cap                                  |
| 20   | 1 x brass disc                         |    |  |
| 21   | 1 x pipe manifold                      |    |  |

|           |        |
|-----------|--------|
| Ref No. - | Date - |
|-----------|--------|

### CUSTOMER DETAILS

| Customer    |  | Retailer    |  |
|-------------|--|-------------|--|
| Name        |  | Name        |  |
| Address     |  | Address     |  |
| Post Code   |  | Post Code   |  |
| Contact No. |  | Contact No. |  |

### PRODUCT DETAILS

|                  |  |             |  |
|------------------|--|-------------|--|
| Product          |  | Product No. |  |
| Part No's        |  |             |  |
| Req'd            |  |             |  |
| Inst. Instr. No. |  |             |  |

### OFFICE INFORMATION ONLY

|               |            |
|---------------|------------|
| Chargeable?   | Inv. No.   |
| Sent Via      | Sent Date  |
| HSK Conf. No. | Conf. Date |
| UK Stock Qty  | Order Ref  |