



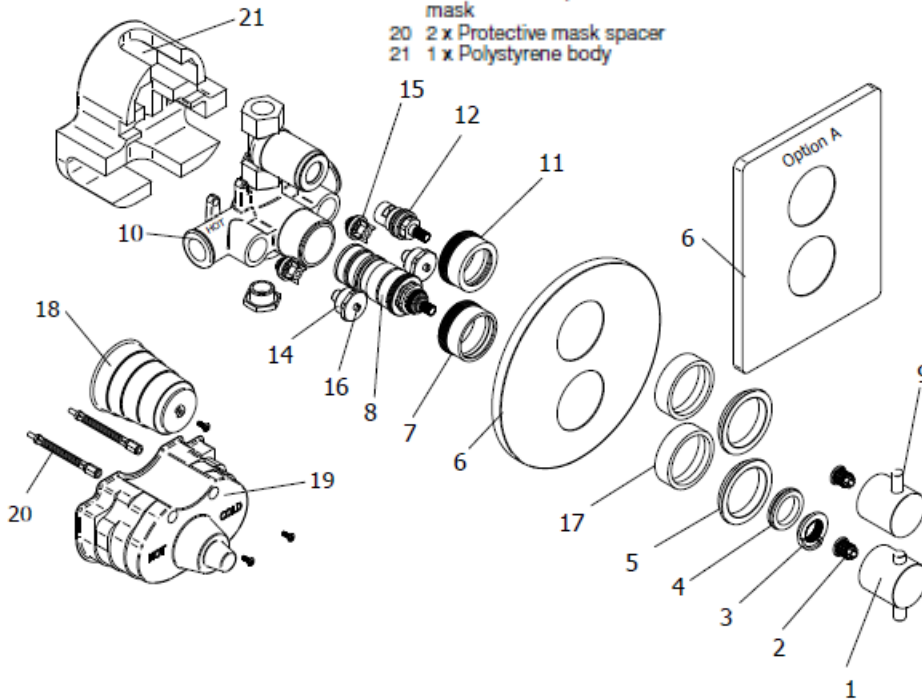
Thermostatic Concealed Valve 110009-GB

Spare Part Request Form – Fax Back to 01283 584994



HSK - SPARE PART - Request Form

- Pos.
- 1 1 x Thermostat handle
 - 2 2 x Dog
 - 3 1 x Scold protection ring
 - 4 1 x Centering ring
 - 5 2 x Cover plate screw ring
 - 6 1 x Cover plate without lettering round angular (option A)
 - 7 1 x Flush-mount concealing plate
 - 8 1 x Thermostat cartridge
 - 9 1 x Shut-off valve handle
 - 10 1 x Base body for flush-mount safety thermostat with stop valve
 - 11 1 x Flush-mount concealing plate stop valve
 - 12 1 x Upper part for stop valve
 - 14 2 x Non-return valve centering screw
 - 15 2 x Non-return valve
 - 16 2 x Non-return valve adjusting screw M6
 - 17 2 x Brass mount screw ring
 - 18 1 x Alignment aid for depth setting and protective mask
 - 19 1 x Thermostat protective mask
 - 20 2 x Protective mask spacer
 - 21 1 x Polystyrene body



Ref No. -	Date -
-----------	--------

CUSTOMER DETAILS

Customer		Retailer	
Name		Name	
Address		Address	
Post Code		Post Code	
Contact No.		Contact No.	

PRODUCT DETAILS

Product		Product No.	
Part No's Req'd			
Inst. Instr. No.			

OFFICE INFORMATION ONLY

Chargeable?	Inv. No.
Sent Via	Sent Date
HSK Conf. No.	Conf. Date
UK Stock Qty	Order Ref